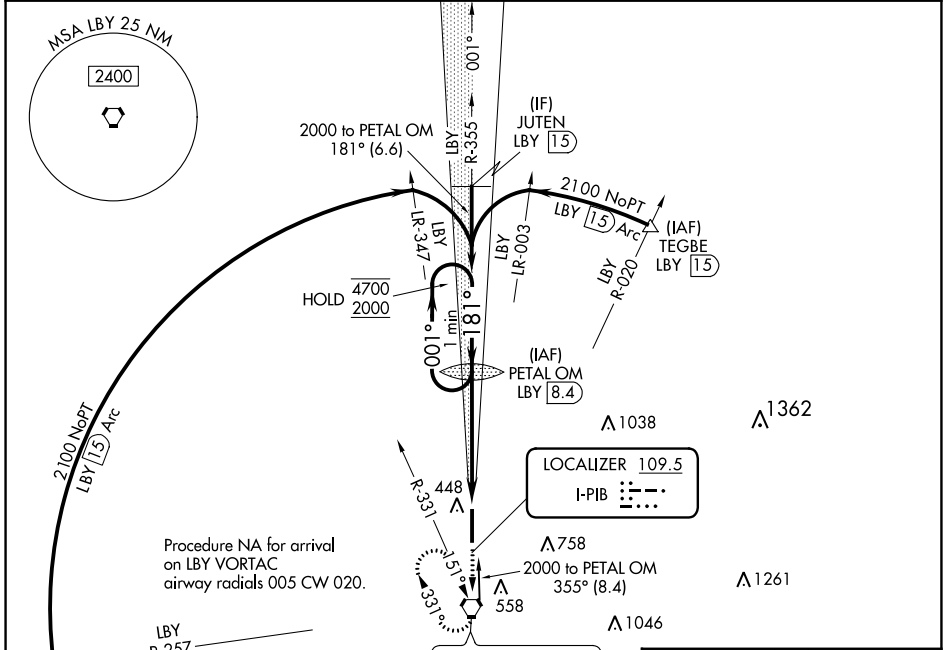


LOC I-PIB 109.5	APP CRS 181°	Rwy Idg TDZE Apt Elev	6502 298 298
---------------------------	------------------------	-----------------------------	---

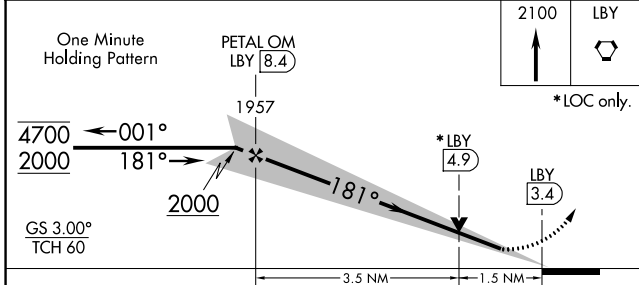
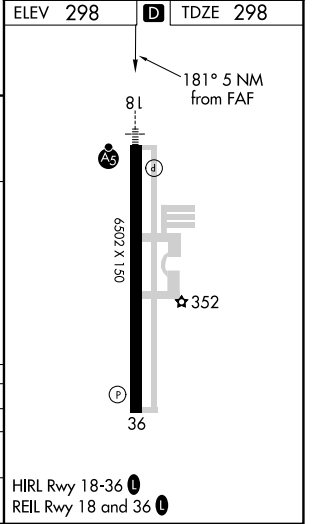
ILS or LOC RWY 18

HATTIESBURG/LAUREL RGNL (PIB)

DME required.		MALSR	MISSED APPROACH: Climb to 2100 direct LBY VORTAC and hold, continue climb-in-hold to 2100.
AWOS-3PT 128.325	HOUSTON CENTER 126.8 327.8	UNICOM 123.0 (CTAF) ①	



ELEV 298	D	TDZE 298
----------	----------	----------



CATEGORY	A	B	C	D
S-ILS 18		498-1/2	200 (200-1/2)	
S-LOC 18	820-1/2	522 (600-1/2)	820-1	522 (600-1)
CIRCLING	820-1	522 (600-1)	1120-2 1/2 822 (900-2 1/2)	1120-2 3/4 822 (900-2 3/4)

SC-4, 22 FEB 2024 to 21 MAR 2024

SC-4, 22 FEB 2024 to 21 MAR 2024

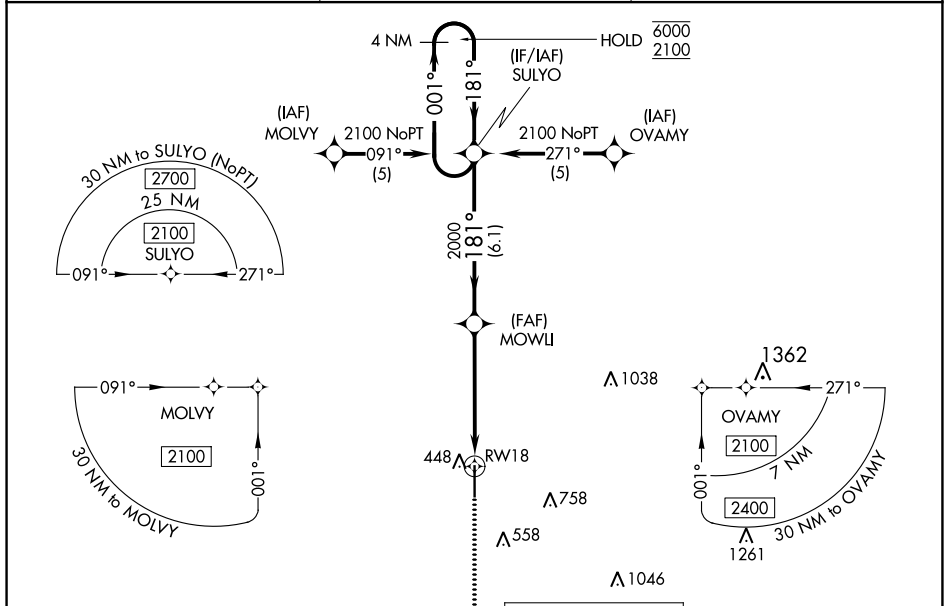
WAAS CH 49201 W18A	APP CRS 181°	Rwy ldg 6502 TDZE 298 Apt Elev 298
--	------------------------	---

RNAV (GPS) RWY 18

HATTIESBURG/LAUREL RGNL (PIB)

RNP APCH-GPS.	MALSR	MISSED APPROACH: Climb to 2000 direct REWYO and hold.
For uncompensated Baro-VNAV systems, LNAV/VNAV NA below -15°C or above 54°C.		

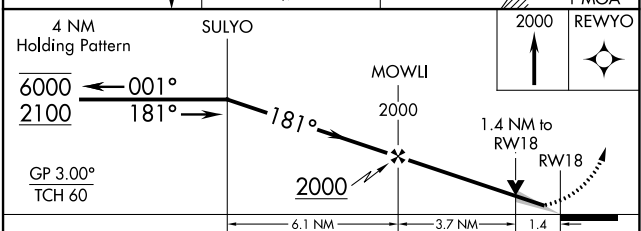
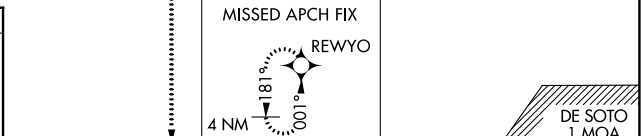
AWOS-3PT 128.325	HOUSTON CENTER 126.8 327.8	UNICOM 123.0 (CTAF) ①
----------------------------	--------------------------------------	---------------------------------



SC-4, 22 FEB 2024 to 21 MAR 2024

SC-4, 22 FEB 2024 to 21 MAR 2024

ELEV 298	TDZE 298
HIRL Rwy 18-36 ① REIL Rwy 18 and 36 ①	



CATEGORY	A	B	C	D
LPV DA		498-1/2	200 (200-1/2)	
LNAV/VNAV DA		691-5/8	393 (400-3/8)	
LNAV MDA	820-1/2	522 (600-1/2)	820-1	522 (600-1)
C CIRCLING	820-1	522 (600-1)	1120-2 1/2 822 (900-2 1/2)	1120-2 3/4 822 (900-2 3/4)

WAAS CH 93901 W36A	APP CRS 001°	Rwy Idg 6502 TDZE 296 Apt Elev 298
--	------------------------	---

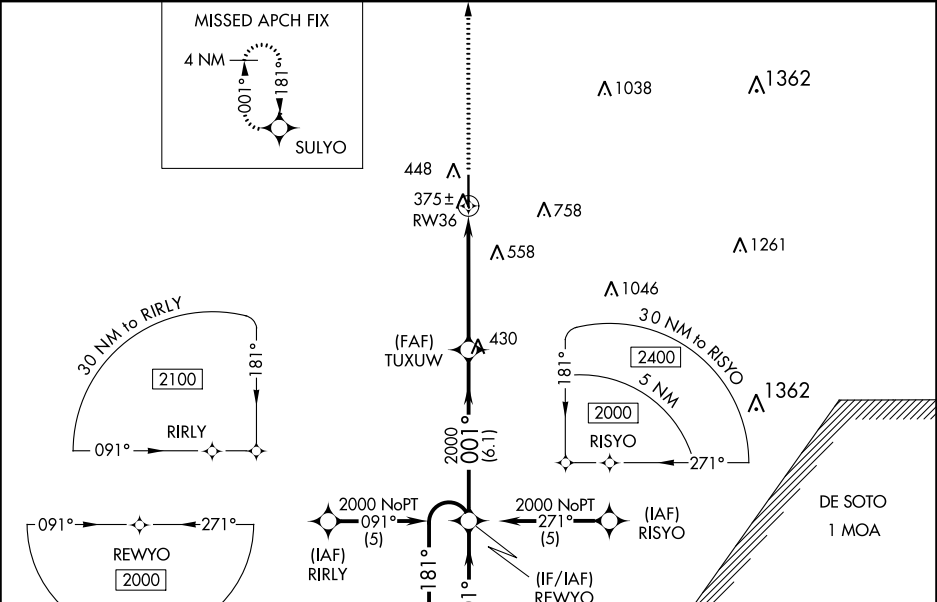
RNAV (GPS) RWY 36

HATTIESBURG/LAUREL RGNL (PIB)

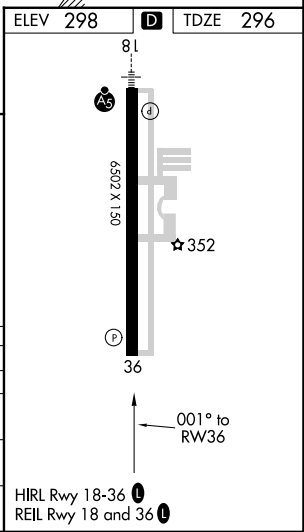
⚠ For uncompensated Baro-VNAV systems, LNAV/VNAV NA below -1.5°C (5°F) or above 48°C (118°F). DME/DME RNP-0.3 NA. Visibility reduction by helicopters NA. When local altimeter setting not received, use Hattiesburg Bobby L Chain Muni altimeter setting: increase LPV DA to 597 feet and LNAV/VNAV DA to 676; increase all MDA 60 feet and visibility LNAV Cat C/D and Circling Cat C/D ¼ SM. Baro-VNAV NA when using Hattiesburg Bobby L Chain Muni altimeter setting.

MISSED APPROACH:
Climb to 2100 direct SULYO and hold.

AWOS-3PT 128.325	HOUSTON CENTER 126.8 327.8	UNICOM 123.0 (CTAF) 0
----------------------------	--------------------------------------	---------------------------------



2100	SULYO	TUXUW	REWYO	4 NM Holding Pattern
↑	✦			
RW36		← 001°	← 001°	→ 181° → 2000
5.1 NM		6.1 NM		GP 3.00° TCH 45
CATEGORY	A	B	C	D
LPV DA	546-1		250 (300-1)	
LNAV/VNAV DA	625-1¼		329 (400-1¼)	
LNAV MDA	680-1		384 (400-1)	
			680-1¼ 384 (400-1¼)	
CIRCLING	760-1 462 (500-1)		1120-2½ 822 (900-2½)	
			1120-2¾ 822 (900-2¾)	



SC-4, 22 FEB 2024 to 21 MAR 2024

SC-4, 22 FEB 2024 to 21 MAR 2024

RNAV (GPS) RWY 36

VORTAC LBY 110.6 Chan 43	APP CRS 356°	Rwy Idg TDZE Apt Elev	N/A N/A 298
--	------------------------	-----------------------------	--

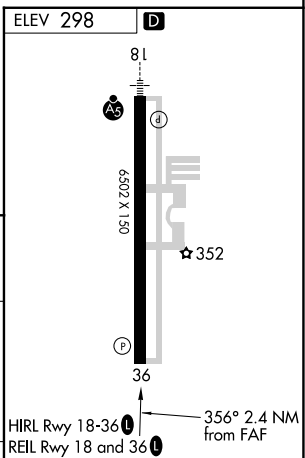
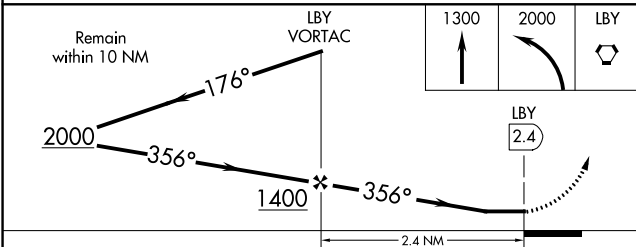
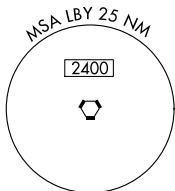
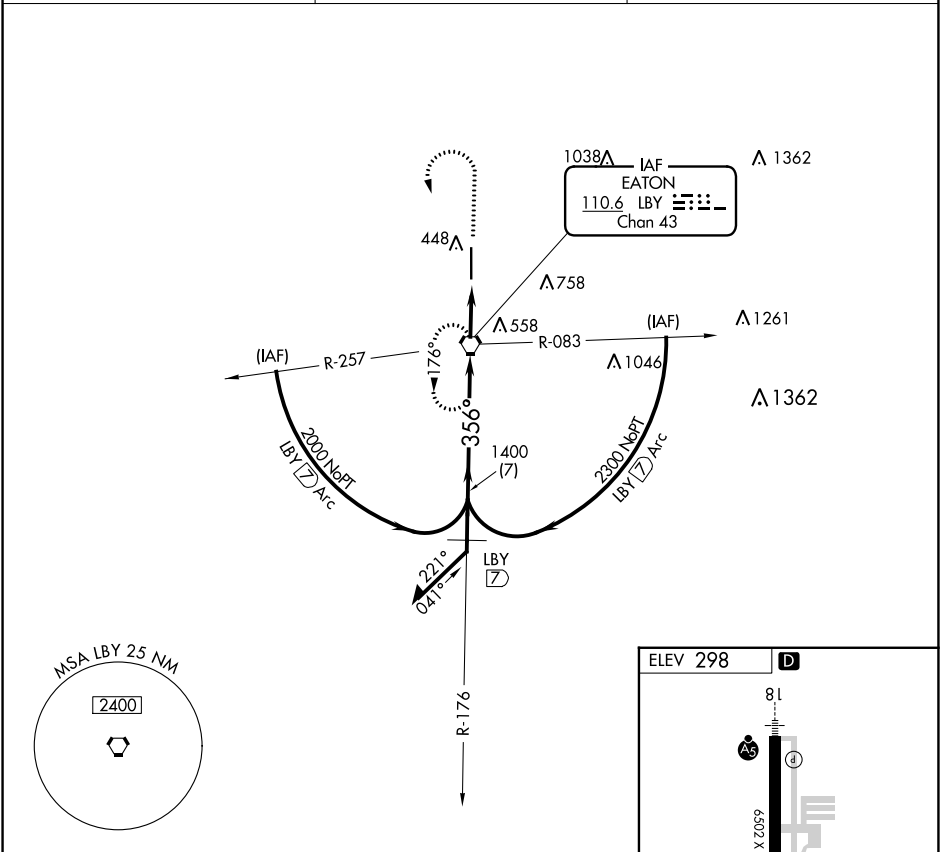
VOR-A

HATTIESBURG/LAUREL RGNL (PIB)

▽
▲

MISSED APPROACH: Climb to 1300 then climbing left turn to 2000 direct LBY VORTAC and hold.

AWOS-3PT 128.325	HOUSTON CENTER 126.8 327.8	UNICOM 123.0(CTAF) 0
----------------------------	--------------------------------------	--------------------------------



CATEGORY	A	B	C	D	FAF to MAP 2.4 NM					
CIRCLING	760-1	462 (500-1)	1120-2½ 822 (900-2½)	1120-2¾ 822 (900-2¾)	Knots	60	90	120	150	180
					Min:Sec	2:24	1:36	1:12	0:58	0:48

VOR-A

SC-4, 22 FEB 2024 to 21 MAR 2024

SC-4, 22 FEB 2024 to 21 MAR 2024

INSTRUMENT APPROACH PROCEDURE CHARTS

A IFR ALTERNATE AIRPORT MINIMUMS

Pilots must review the IFR Alternate Minimums Notes to determine alternate airport suitability.

ANA designation on the approach chart means that pilots may not use that approach as an alternate due to unmonitored facility, absence of weather reporting service, or lack of adequate navigation coverage. Approaches with the **A**NA designation are not listed in this section. **A** designation on the approach chart indicates that the approach procedure has non-standard minimums (for aircraft other than helicopters) or restrictions (for all users) for its use as an alternate.

Alternate Minima (ref: 14 CFR 91.169)

	Precision Approach	Non-Precision Approach
Standard	600-2	800-2
A Non-Standard or restrictions	As indicated below	As indicated below
Helicopters	For the selected approach: Ceiling: 200' above published ceiling Visibility: the greater of 1 SM visibility or the published visibility	
US Military (USA/USN/USAF)	See Service Regulations	

Note: For alternate airport flight planning purposes, precision approach operations include: ILS, PAR, and GLS, and Non-Precision approach operations include: NDB, VOR, LOC, TACAN, LDA, SDF, ASR, RNAV (GPS) and RNAV (RNP).

NAME ALTERNATE MINIMUMS

ABBEVILLE, LA

ABBEVILLE CHRIS CRUSTA
MEML (IYA).....RNAV (GPS) Rwy 16
RNAV (GPS) Rwy 34
NA when local weather not available.

ALEXANDRIA, LA

ALEXANDRIA
INTL (AEX).....ILS or LOC Rwy 14¹
RNAV (GPS) Rwy 14²³
RNAV (GPS) Rwy 18²
RNAV (GPS) Rwy 32²
RNAV (GPS) Rwy 36²³
VOR Rwy 14²
VOR/DME Rwy 32²

¹LOC, Category D, 800-2½.
²Category D, 800-2½.
³NA when local weather not available.

ESLER RGNL (ESF).....RNAV (GPS) Rwy 9
RNAV (GPS) Rwy 27
NA when local weather not available.

BASTROP, LA

MOREHOUSE
MEML (BQP).....RNAV (GPS) Rwy 16
RNAV (GPS) Rwy 34
NA when local weather not available.

NAME ALTERNATE MINIMUMS

BATON ROUGE, LA

BATON ROUGE METRO,
RYAN FLD (BTR).....ILS or LOC Rwy 13¹²⁴
ILS or LOC/DME Rwy 22R¹²⁴
RADAR-1²⁵
RNAV (GPS) Rwy 4L⁴
RNAV (GPS) Rwy 13⁴⁵
RNAV (GPS) Rwy 22R⁴⁵
RNAV (GPS) Rwy 31⁴⁵
VOR Rwy 4L³⁴

¹ILS, Category C, 800-2; Category D, 800-2½;
LOC, Category D, 800-2½.

²NA when control tower closed.
³Categories C, D, 800-2½.
⁴NA when local weather not available.
⁵Category D, 800-2½.

BAY ST LOUIS, MS

STENNIS
INTL (HSA).....ILS Y or LOC Y Rwy 18¹
ILS Z or LOC Z Rwy 18¹
NDB Rwy 18
RNAV (GPS) Rwy 18
RNAV (GPS) Rwy 36

NA when local weather not available.
Category D, 800-2½; Category E, 800-2¾.
¹NA when control tower closed.

22 FEB 2024 to 21 MAR 2024

22 FEB 2024 to 21 MAR 2024

NAME ALTERNATE MINIMUMS

BOGALUSA, LA

GEORGE R CARR MEML AIR
 FLD (BXA).....**LOC Rwy 18**
RNAV (GPS) Rwy 18
RNAV (GPS) Rwy 36

NA when local weather not available.
 Category C, 800-2¼.

BROOKHAVEN, MS

BROOKHAVEN-LINCOLN
 COUNTY (1R7).....**RNAV (GPS) Rwy 23**
 NA when local weather not available.

CLARKSDALE, MS

FLETCHER
 FLD (CKM).....**RNAV (GPS) Rwy 18**
RNAV (GPS) Rwy 36

NA when local weather not available.

CLEVELAND, MS

CLEVELAND
 MUNI (RNV).....**RNAV (GPS) Rwy 18**
RNAV (GPS) Rwy 36
VOR-A

NA when local weather not available.
 Category C, 800-2¼; Category D, 800-2½.

COLUMBIA, MS

COLUMBIA-MARION
 COUNTY (0R0).....**RNAV (GPS) Rwy 23**
 NA when local weather not available.
 Category D, 800-2¼.

COLUMBUS/W POINT/**STARKVILLE, MS**

GOLDEN TRIANGLE
 RGNL (GTR).....**ILS or LOC Rwy 18¹³**
ILS or LOC Rwy 36²³
RNAV (GPS) Rwy 18⁴
RNAV (GPS) Rwy 36⁴

NA when local weather not available.
¹LOC, Category D, 800-2¼; Category E, 800-2½.
²LOC, Categories A, B, 900-2;
 Category C, 900-2½; Category D, 900-2¾;
 Category E, 900-3.
³NA when control tower closed.
⁴Category D, 800-2¼; Category E, 800-2½.

CORINTH, MS

ROSCOE
 TURNER (CRX).....**ILS or LOC Rwy 18¹**
RNAV (GPS) Rwy 18²
RNAV (GPS) Rwy 36²

NA when local weather not available.
¹LOC, Category D, 800-2¼.
²Category D, 800-2¼.

NAME ALTERNATE MINIMUMS

DE RIDDER, LA

BEAUREGARD
 RGNL (DRI).....**RNAV (GPS) Rwy 18**
RNAV (GPS) Rwy 36

NA when local weather not available.
 Category D, 800-2¼.

GALLIANO, LA

SOUTH LAFOURCHE LEONARD
 MILLER JR (GAO).....**RNAV (GPS) Rwy 18**
RNAV (GPS) Rwy 36

NA when local weather not available.

GONZALES, LA

LOUISIANA RGNL (REG).....**RNAV (GPS) Rwy 35**
 Category D, 800-2¼.

GREENVILLE, MS

GREENVILLE-MID
 DELTA (GLH).....**ILS or LOC Rwy 18L**
RNAV (GPS) Rwy 18L
RNAV (GPS) Rwy 18R
RNAV (GPS) Rwy 36L
RNAV (GPS) Rwy 36R
VOR Rwy 18R¹

NA when local weather not available.
¹Categories A, B, C, D, 800-2½.

GREENWOOD, MS

GREENWOOD-
 LEFLORE (GWO).....**ILS or LOC Rwy 18¹**
RNAV (GPS) Rwy 5²
RNAV (GPS) Rwy 18²
RNAV (GPS) Rwy 36²
VOR Rwy 5²

NA when local weather not available.
¹ILS, LOC, Category C, 900-2½; Category D,
 1000-3.
²Category C, 900-2½; Category D, 1000-3.

GRENADA, MS

GRENADA
 MUNI (GNF).....**RNAV (GPS) Rwy 4**
RNAV (GPS) Rwy 13
RNAV (GPS) Rwy 22
RNAV (GPS) Rwy 31

NA when local weather not available.
 Category C, 800-2¼; Category D, 900-2¼.

NAME ALTERNATE MINIMUMS

GULFPORT, MS

GULFPORT-BILOXI
INTL (GPT).....**ILS Z or LOC Z Rwy 14**¹²
ILS Z or LOC Z Rwy 32³⁴⁵
RADAR-1⁵
RNAV (GPS) Rwy 14¹⁷
RNAV (GPS) Rwy 18¹⁸
RNAV (GPS) Rwy 32¹⁸
RNAV (GPS) Rwy 36¹⁸
VOR Y Rwy 14⁷
VOR Y Rwy 32¹⁸
VOR Z Rwy 32¹⁹
VOR Z or TACAN Z Rwy 14¹⁶

- ¹NA when local weather not available.
- ²LOC, Category C, 800-2¼; Category D, 800-2½; Category E, 800-2¾.
- ³LOC, NA when control tower closed.
- ⁴LOC, Category D, 800-2¼; Category E, 800-2½.
- ⁵LOC, NA when local weather not available.
- ⁶Category C, 800-2¼; Category D, 800-2½; Category E, 800-2¾.
- ⁷Category C, 800-2¼; Category D, 800-2½.
- ⁸Category D, 800-2¼.
- ⁹Category D, 800-2¼; Category E, 800-2½.

HAMMOND, LA

HAMMOND NORTHSORE
RGNL (HDC).....**RNAV (GPS) Rwy 13**
RNAV (GPS) Rwy 18
RNAV (GPS) Rwy 31
RNAV (GPS) Rwy 36

NA when local weather not available.
Category D, 900-2¾.

HATTIESBURG, MS

HATTIESBURG BOBBY L. CHAIN
MUNI (HBG).....**RNAV (GPS) Y Rwy 13**
RNAV (GPS) Z Rwy 13

NA when local weather not available.
Category D, 800-2½.

HATTIESBURG-LAUREL, MS

HATTIESBURG/LAUREL
RGNL (PIB).....**RNAV (GPS) Rwy 18**
RNAV (GPS) Rwy 36
VOR-A

NA when local weather not available.
Category C, 900-2¼; Category D, 900-2¾.

NAME ALTERNATE MINIMUMS

HOUMA, LA

HOUMA-TERREBONNE
(HUM).....**COPTER VOR/DME Rwy 12**
ILS or LOC Rwy 18¹²
RNAV (GPS) Rwy 12³
RNAV (GPS) Rwy 18³
RNAV (GPS) Rwy 30³
RNAV (GPS) Rwy 36³
VOR/DME Rwy 30³

- NA when local weather not available.
- ¹NA when control tower closed.
- ²ILS, LOC, Category C, 800-2¼; Category D, 800-2½.
- ³Category C, 800-2¼; Category D, 800-2½.

JACKSON, MS

HAWKINS
FLD (HKS).....**ILS or LOC Rwy 16**¹²
RNAV (GPS) Rwy 16³
RNAV (GPS) Rwy 34³

- NA when local weather not available.
- ¹NA when control tower closed.
- ²ILS, LOC, Category C, 800-2¼; Category D, 1000-3.
- ³Category C, 800-2¼; Category D, 1000-3.

JACKSON-MEDGAR WILEY EVERS

INTL (JAN).....**ILS or LOC Rwy 16L**¹²³
ILS or LOC Rwy 34L¹²³
RADAR-1⁴
RNAV (GPS) Rwy 16L³⁵
RNAV (GPS) Rwy 16R³⁵
RNAV (GPS) Rwy 34L³⁵
RNAV (GPS) Rwy 34R³⁵
VOR/DME or TACAN Rwy 16L³⁵
VOR/DME or TACAN Rwy 16R³⁵
VOR/DME or TACAN Rwy 34L³⁵
VOR/DME or TACAN Rwy 34R³⁵

- ¹NA when control tower closed.
- ²ILS, Category D, 700-2; Category E, 700-2½; LOC, Category E, 800-2½.
- ³NA when local weather not available.
- ⁴Category E, 800-2¼.
- ⁵Category E, 800-2¼.

JENNINGS, LA

JENNINGS (3R7).....**RNAV (GPS) Rwy 8**
RNAV (GPS) Rwy 26

NA when local weather not available.

LAFAYETTE, LA

LAFAYETTE RGNL/PAUL FOURNET
FLD (LFT).....**ILS or LOC Rwy 4R**¹²
ILS or LOC Rwy 22L¹²³
RNAV (GPS) Rwy 4R²
RNAV (GPS) Rwy 22L²
RNAV (GPS) Rwy 29²
VOR/DME Rwy 11²

- ¹ILS, Category D, 700-2.
- ²NA when local weather not available.
- ³NA when control tower closed.

22 FEB 2024 to 21 MAR 2024

NAME ALTERNATE MINIMUMS

LAKE CHARLES, LA

CHENNAULT
INTL (CWF).....RNAV (GPS) Rwy 15
RNAV (GPS) Rwy 33

NA when local weather not available.
Category D, 800-2½.

LAKE CHARLES

RGNL (LCH).....ILS or LOC Rwy 15²
RADAR-1¹
RNAV (GPS) Rwy 15²³
RNAV (GPS) Rwy 33²³

¹When control tower closed, ASR NA.
²NA when local weather not available.
³Category D, 800-2½.

LAUREL, MS

HESLER-NOBLE
FLD (LUL).....RNAV (GPS) Rwy 13
RNAV (GPS) Rwy 31
VOR-A

NA when local weather not available.
Category C, 900-2¼; Category D, 900-2¼.

LOUISVILLE, MS

LOUISVILLE/WINSTON
COUNTY (LMS).....RNAV (GPS) Rwy 17
RNAV (GPS) Rwy 35

NA when local weather not available.
Category D, 800-2¼.

MADISON, MS

BRUCE CAMPBELL
FLD (MBO).....RNAV (GPS) Rwy 17
RNAV (GPS) Rwy 35
VOR Rwy 17

NA when local weather not available.
Category D, 800-2¼.

MANSFIELD, LA

C E 'RUSTY'
WILLIAMS (3F3).....RNAV (GPS) Rwy 18
NA when local weather not available.

MC COMB, MS

MC COMB/PIKE COUNTY/JOHN E LEWIS
FLD (MCB).....ILS or LOC Rwy 16¹
RNAV (GPS) Rwy 16²
RNAV (GPS) Rwy 34²
VOR/DME-A²³

¹LOC, Category D, 800-2½.
²Category D, 800-2½.
³NA when local weather not available.

NAME ALTERNATE MINIMUMS

MERIDIAN, MS

KEY FLD (MEI).....ILS or LOC Rwy 1¹²³
ILS or LOC Rwy 19¹³⁶
RNAV (GPS) Rwy 1³⁷
RNAV (GPS) Rwy 4³⁴
RNAV (GPS) Rwy 19³⁵
RNAV (GPS) Rwy 22³⁴
VOR-A⁷

¹NA when control tower closed.
²ILS, Categories A, B, C, 700-2; Category D, 900-2¼; Category E, 900-3. LOC, Category D, 900-2¼; Category E, 900-3.
³NA when local weather not available.
⁴Category D, 900-2¼.
⁵Category D, 900-2¼; Category E, 900-3.
⁶ILS, Categories A, B, 800-2; Category C, 800-2¼; Category D, 900-2¼; Category E, 900-3; LOC, Category C, 800-2¼; Category D, 900-2¼; Category E, 900-3.
⁷Category D, 900-2¼; Category E, 900-3.

MINDEN, LA

MINDEN (MNE).....RNAV (GPS) Rwy 1¹
RNAV (GPS) Rwy 19¹
VOR/DME-A²

NA when local weather not available.
¹Category C, 800-2¼; Category D, 800-2¼.
²Categories A, B, 1300-2; Categories C, D, 1300-3.

MONROE, LA

MONROE
RGNL (MLU).....ILS or LOC Rwy 4¹²³
ILS or LOC Rwy 22¹²³
RADAR-1²⁴
RNAV (GPS) Rwy 4¹⁴
RNAV (GPS) Rwy 14⁴
RNAV (GPS) Rwy 22¹⁴
RNAV (GPS) Rwy 32¹⁴
VOR/DME Rwy 4⁴
VOR Rwy 22⁴
VOR Rwy 32¹⁴

¹NA when local weather not available.
²NA when control tower closed.
³LOC, Category D, 1100-3.
⁴Category D, 1100-3.

NATCHEZ, MS

HARDY-ANDERS FLD/NATCHEZ-ADAMS
COUNTY (HEZ).....ILS or LOC Rwy 14¹²
RNAV (GPS) Rwy 14³
RNAV (GPS) Rwy 18³
RNAV (GPS) Rwy 32³
RNAV (GPS) Rwy 36³

NA when local weather not available.
¹NA when FBO closed.
²LOC, Category C, 800-2¼; Category D, 1000-3.
³Category C, 800-2¼; Category D, 1000-3.

NAME ALTERNATE MINIMUMS

NATCHITOCHE, LA

NATCHITOCHE
RGNL (IER).....RNAV (GPS) Rwy 17
RNAV (GPS) Rwy 35

NA when local weather not available.

NEW IBERIA, LA

ACADIANA RGNL (ARA).....ILS or LOC Rwy 35¹²
VOR or TACAN Rwy 17³
VOR Rwy 35³

¹NA when LFT APP CON closed.

²LOC, Category E, 900-3.

³Category E, 900-3.

NEW ORLEANS, LA

LAKEFRONT (NEW).....ILS or LOC Rwy 18R¹²
RNAV (GPS) Rwy 18R³
RNAV (GPS) Rwy 36L³
VOR/DME Rwy 36L³

NA when local weather not available.

¹NA when control tower closed.

²LOC, Category D, 900-2¼.

³Category D, 900-2¼.

LOUIS ARMSTRONG

NEW ORLEANS INTL (MSY).....LOC Rwy 20
Category D, 800-2¼.

OAKDALE, LA

ALLEN PARISH (ACP).....RNAV (GPS) Rwy 18
RNAV (GPS) Rwy 36

NA when local weather not available.

OLIVE BRANCH, MS

OLIVE BRANCH/
TAYLOR FLD (OLV).....ILS or LOC Rwy 18¹²
LOC Rwy 36²³
RNAV (GPS) Rwy 18³
RNAV (GPS) Rwy 36³

NA when local weather not available.

¹ILS, Categories, A, B, C, 700-2; Category D, 800-2½; LOC, Category D, 800-2½.

²NA when control tower closed.

³Category D, 800-2½.

OPELOUSAS, LA

ST LANDRY PARISH (OPL).....VOR Rwy 36

NA when local weather not available.

Category D, 900-2¼.

OXFORD, MS

UNIVERSITY-
OXFORD (UOX).....RNAV (GPS) Rwy 9
RNAV (GPS) Rwy 27
VOR-A

NA when local weather not available.

Category C, 1000-2¼; Category D, 1000-3.

NAME ALTERNATE MINIMUMS

PASCAGOULA, MS

TRENT LOTT
INTL (PQL).....ILS or LOC Rwy 17¹
RNAV (GPS) Rwy 17
RNAV (GPS) Rwy 35

NA when local weather not available.

¹ILS, LOC, Category A, B, 900-2; Category C, 900-2¼; Category D, 900-3.

PATTERSON, LA

HARRY P WILLIAMS
MEML (PTN).....RNAV (GPS) Rwy 6
RNAV (GPS) Rwy 24

NA when local weather not available.

PHILADELPHIA, MS

PHILADELPHIA
MUNI (MPE).....RNAV (GPS) Rwy 18¹
RNAV (GPS) Rwy 36²

¹Category C, 900-2½; Category D, 900-2¼.

²Categories A, B, 800-2¼; Category C, 900-2½;

Category D, 900-2¼.

PICAYUNE, MS

PICAYUNE
MUNI (MJD).....RNAV (GPS) Y Rwy 18
RNAV (GPS) Z Rwy 18¹
RNAV (GPS) Rwy 36¹
VOR-A

NA when local weather not available.

¹Category D, 1000-3.

RAYMOND, MS

JOHN BELL
WILLIAMS (JWV).....ILS or LOC Rwy 12¹
RNAV (GPS) Rwy 12²
RNAV (GPS) Rwy 30²

NA when local weather not available

¹ILS, Category C, 800-2, Category D, 800-2¼;

LOC, Category D, 800-2¼.

²Category D, 800-2¼.

RESERVE, LA

PORT OF SOUTH LOUISIANA EXEC
RGNL (APS).....RNAV (GPS) Rwy 17
RNAV (GPS) Rwy 35
VOR Rwy 35

NA when local weather not available.

Category C, 900-2½.

RUSTON, LA

RUSTON RGNL (RSN).....RNAV (GPS) Rwy 18
RNAV (GPS) Rwy 36
VOR-A

NA when local weather not available.

22 FEB 2024 to 21 MAR 2024

22 FEB 2024 to 21 MAR 2024

NAME ALTERNATE MINIMUMS

SHREVEPORT, LA

SHREVEPORT
DOWNTOWN (DTN).....LOC Rwy 14¹²³
RNAV (GPS) Rwy 5¹
RNAV (GPS) Rwy 14¹³
RNAV (GPS) Rwy 23¹
RNAV (GPS) Rwy 32³

¹NA when local weather not available.
²NA when control tower closed.
³Category C, 1000-2¼; Category D, 1000-3.

SHREVEPORT

RGNL (SHV).....ILS or LOC Rwy 14¹
ILS or LOC Rwy 32²
LOC Rwy 6³
RADAR-1³
RNAV (GPS) Rwy 6⁴
RNAV (GPS) Rwy 14⁴
RNAV (GPS) Rwy 24⁴
RNAV (GPS) Rwy 32⁴

¹LOC, Category D, 900-2¼; Category E, 900-3.
²LOC, Category D, 900-2¼.
³Category D, 900-2¼; Category E, 900-3.
⁴Category D, 900-2¼.

SLIDELL, LA

SLIDELL (ASD).....RNAV (GPS) Rwy 36
NA when local weather not available.

STARKVILLE, MS

GEORGE M
BRYAN (STF).....RNAV (GPS) Rwy 18
RNAV (GPS) Rwy 36
Category D, 800-2¼.
NA when local weather not available.

SULPHUR, LA

SOUTHLAND FLD (UXL).....LOC Rwy 15
RNAV (GPS) Rwy 15
RNAV (GPS) Rwy 33
NA when local weather not available.

TALLULAH, LA

VICKSBURG TALLULAH
RGNL (TVR).....ILS or LOC Rwy 36
RNAV (GPS) Rwy 18
RNAV (GPS) Rwy 36
NA when local weather not available.

TUNICA, MS

TUNICA MUNI (UTA).....ILS or LOC Rwy 35
RNAV (GPS) Rwy 17
RNAV (GPS) Rwy 35
NA when local weather not available.

NAME ALTERNATE MINIMUMS

TUPELO, MS

TUPELO RGNL (TUP).....COPTER VOR 023⁰⁴
ILS Y or LOC Y Rwy 36¹
ILS Z or LOC Z Rwy 36²⁴
RNAV (GPS) Rwy 18³⁴
RNAV (GPS) Rwy 36³⁴
VOR Rwy 18³⁴

¹ILS, NA when local weather not available;
Category D, 800-2½. LOC, NA.
²LOC, Category D, 800-2½.
³Category D, 800-2½.
⁴NA when local weather not available.

VICKSBURG, MS

VICKSBURG
MUNI (VKS).....RNAV (GPS) Rwy 1¹
RNAV (GPS) Rwy 19²

¹Category D, 800-2½.
²Category C, 800-2¼; Category D, 800-2½.

VIDALIA, LA

CONCORDIA
PARISH (0R4).....RNAV (GPS) Rwy 14
NA when local weather not available.
Category C, 1000-2¼.

22 FEB 2024 to 21 MAR 2024

22 FEB 2024 to 21 MAR 2024

TAKEOFF MINIMUMS, (OBSTACLE) DEPARTURE PROCEDURES, AND DIVERSE VECTOR AREA (RADAR VECTORS)

24025

INSTRUMENT APPROACH PROCEDURE CHARTS

IFR TAKEOFF MINIMUMS AND (OBSTACLE) DEPARTURE PROCEDURES

Civil Airports and Selected Military Airports

ALL USERS: Airports that have Departure Procedures (DPs) designed specifically to assist pilots in avoiding obstacles during the climb to the minimum enroute altitude, and/or airports that have civil IFR takeoff minimums other than standard, are listed below. Takeoff Minimums and Departure Procedures apply to all runways unless otherwise specified. An entry may also be listed that contains only Takeoff Obstacle Notes. Altitudes, unless otherwise indicated, are minimum altitudes in MSL.

DPs specifically designed for obstacle avoidance are referred to as Obstacle Departure Procedures (ODPs) and are textually described below, or published separately as a graphic procedure. If the ODP is published as a graphic procedure, its name will be listed below, and it can be found in either this volume (civil), or the applicable military volume, as appropriate. Users will recognize graphic obstacle DPs by the term "(OBSTACLE)" included in the procedure title; e.g., TETON TWO (OBSTACLE). If not specifically assigned an ODP, SID, or RADAR vector as part of an IFR clearance, an ODP may be required to be flown for obstacle clearance, even though not specifically stated in the IFR clearance. When doing so in this manner, ATC should be informed when the ODP being used contains a specified route to be flown, restrictions before turning, and/or altitude restrictions.

Some ODPs, which are established solely for obstacle avoidance, require a climb in visual conditions to cross the airport, a fix, or a NAVIAID in a specified direction, at or above a specified altitude. These procedures are called Visual Climb Over Airport (VCOA). To ensure safe and efficient operations, the pilot must verbally request approval from ATC to fly the VCOA when requesting their IFR clearance.

At some locations where an ODP has been established, a diverse vector area (DVA) may be created to allow RADAR vectors to be used in lieu of an ODP. DVA information will state that headings will be as assigned by ATC and climb gradients, when applicable, will be published immediately following the specified departure procedure.

Graphic DPs designed by ATC to standardize traffic flows, ensure aircraft separation and enhance capacity are referred to as "Standard Instrument Departures (SIDs)". SIDs also provide obstacle clearance and are published under the appropriate airport section. ATC clearance must be received prior to flying a SID.

CIVIL USERS NOTE: Title 14 Code of Federal Regulations Part 91 prescribes standard takeoff rules and establishes takeoff minimums for certain operators as follows: (1) For aircraft, other than helicopters, having two engines or less – one statute mile visibility. (2) For aircraft having more than two engines – one-half statute mile visibility. (3) For helicopters – one-half statute mile visibility. These standard minima apply in the absence of any different minima listed below.

MILITARY USERS NOTE: Civil (nonstandard) takeoff minima are published below. For military takeoff minima, refer to appropriate service directives.

ABBEVILLE, LA

ABBEVILLE CHRIS CRUSTA MEML (IYA)

TAKEOFF MINIMUMS AND (OBSTACLE) DEPARTURE PROCEDURES

ORIG 25AUG11 (22195) (FAA)

TAKEOFF OBSTACLE NOTES:

Rwy 16, trees and poles beginning 1' from DER, 36' left of centerline, up to 98' AGL/112' MSL.

Trees and poles beginning 32' from DER, 14' right of centerline, up to 81' AGL/95' MSL.

Rwy 34, trees beginning 121' from DER, 275' right of centerline, up to 15' AGL/29' MSL.

Trees and pole beginning 1110' from DER, 625' left of centerline, up to 80' AGL/95' MSL.

Transmission tower 4414' from DER, 724' left of centerline, 114' AGL/129' MSL.

ABERDEEN/AMORY, MS

MONROE COUNTY (M40)

TAKEOFF MINIMUMS AND (OBSTACLE) DEPARTURE PROCEDURES

ORIG 30AUG07 (07242) (FAA)

TAKEOFF OBSTACLE NOTES:

Rwy 18, pole 460' from DER, 365' left of centerline, 25' AGL/254' MSL.

Trees beginning 7' from DER, 61' left of centerline, up to 100' AGL/310' MSL.

Trees beginning 839' from DER, 83' right of centerline, up to 116' AGL/316' MSL.

Rwy 36, trees beginning 241' from DER, 490' left of centerline, up to 83' AGL/303' MSL.

Trees beginning 27' from DER, 426' right of centerline, up to 92' AGL/312' MSL.

Tree 3078' from DER, 276' right of centerline, 81' AGL/301' MSL.

ALEXANDRIA, LA

ALEXANDRIA INTL (AEX)

TAKEOFF MINIMUMS AND (OBSTACLE) DEPARTURE PROCEDURES

ORIG 30AUG07 (07242) (FAA)

TAKEOFF OBSTACLE NOTES:

Rwy 18, multiple trees and bush beginning 897' from DER, 210' right of centerline, up to 83' AGL/173' MSL.

Multiple trees and fence beginning 91' from DER, 326' left of centerline, up to 80' AGL/167' MSL.

Rwy 32, multiple trees beginning 1537' from DER, 662' right of centerline, up to 80' AGL/162' MSL.

Rwy 36, multiple trees beginning 1298' from DER, 25' left of centerline, up to 90' AGL/170' MSL.

Multiple trees beginning 1340' from DER, 155' right of centerline, up to 90' AGL/169' MSL.

Antenna, 5041' from DER, 793' left of centerline, 140' AGL/216' MSL.

TAKEOFF MINIMUMS, (OBSTACLE) DEPARTURE PROCEDURES, AND DIVERSE VECTOR AREA (RADAR VECTORS)

24025

SC-4

TAKEOFF MINIMUMS, (OBSTACLE) DEPARTURE PROCEDURES, AND DIVERSE VECTOR AREA (RADAR VECTORS)

24025

ALEXANDRIA, LA (CON'T)

ESLER RGNL (ESF)

TAKEOFF MINIMUMS AND (OBSTACLE) DEPARTURE PROCEDURES

AMDT 2 08APR10 (10098) (FAA)

TAKEOFF OBSTACLE NOTES:

Rwy 9, multiple trees beginning 697' from DER, 612' right of centerline, up to 83' AGL/153' MSL. Antenna 2236' from DER, 912' left of centerline, 78' AGL/158' MSL.

Rwy 14, trees 928' from DER, 606' left of centerline, 90' AGL/160' MSL.

Trees 2003' from DER, 141' left of centerline, 98' AGL/168' MSL.

Multiple trees beginning 941' from DER, 257' right of centerline, up to 121' AGL/231' MSL.

Rwy 27, light 38' from DER, 148' right of centerline, 8' AGL/98' MSL.

Pole 650' from DER, 649' right of centerline, 39' AGL/129' MSL.

Trees 3290' from DER, 984' right of centerline, 121' AGL/211' MSL.

Rwy 32, rising terrain from 197' from DER through 1886' from DER, up to 0' AGL/165' MSL.

Multiple trees and fence beginning 1959' from DER, 8' left of centerline, up to 123' AGL/236' MSL.

Antenna 148' from DER, 417' left of centerline, 15' AGL/125' MSL.

Trees 1862' from DER, 200' right of centerline, 79' AGL/219' MSL.

BASTROP, LA

MOREHOUSE MEML (BQP)

TAKEOFF MINIMUMS AND (OBSTACLE) DEPARTURE PROCEDURES

ORIG-A 14NOV13 (22195) (FAA)

TAKEOFF OBSTACLE NOTES:

Rwy 16, trees beginning 1033' from DER, 591' right of centerline, up to 90' AGL/247' MSL.

Trees beginning 152' from DER, 402' left of centerline, up to 90' AGL/256' MSL.

Rwy 34, tree 394' right of DER, 53' AGL/218' MSL.

Trees beginning 2627' from DER, 119' left of centerline, up to 123' AGL/248' MSL.

Power lines 1700' from DER, 70' AGL/214' MSL.

BATESVILLE, MS

PANOLA COUNTY (PMU)

TAKEOFF MINIMUMS AND (OBSTACLE) DEPARTURE PROCEDURES

AMDT 1A 08SEP22 (22251) (FAA)

DEPARTURE PROCEDURE:

Rwy 1, climb heading 011° to 800 before proceeding on course.

Rwy 19, climb heading 191° to 1000 before proceeding on course.

TAKEOFF OBSTACLE NOTES:

Rwy 1, trees beginning 72' from DER, 157' left of centerline, up to 80' AGL/283' MSL.

Trees beginning 129' from DER, 214' right of centerline, up to 100' AGL/305' MSL.

Rwy 19, poles, vehicle on road, NAVAID beginning 49' from DER, 257' left of centerline, up to 33' AGL/252' MSL.

Trees beginning 478' from DER, 539' left of centerline, up to 299' MSL.

Poles beginning 606' from DER, 503' right of centerline, up to 34' AGL/252' MSL.

Trees beginning 665' from DER, 654' left of centerline, up to 344' MSL.

Pole 698' from DER, 507' right of centerline, 34' AGL/253' MSL.

Pole 762' from DER, 690' right of centerline, 34' AGL/254' MSL.

Tree 945' from DER, 363' right of centerline, 258' MSL.

Tree 1072' from DER, 215' right of centerline, 264' MSL.

Tree 1146' from DER, 615' left of centerline, 347' MSL.

Trees, terrain, poles beginning 1217' from DER, 19' left of centerline, up to 349' MSL.

Tree 1363' from DER, 170' right of centerline, 269' MSL.

Trees beginning 1683' from DER, 471' right of centerline, up to 293' MSL.

Trees, building, poles beginning 1881' from DER, 68' right of centerline, up to 325' MSL.

Tree 2121' from DER, 506' right of centerline, 343' MSL.

Trees, vehicle on road beginning 2216' from DER, 12' right of centerline, up to 345' MSL.

Trees beginning 4119' from DER, 194' right of centerline, up to 347' MSL.

Trees beginning 4315' from DER, 172' right of centerline, up to 348' MSL.

Trees beginning 4491' from DER, 3' right of centerline, up to 360' MSL.

Trees beginning 4659' from DER, 39' left of centerline, up to 357' MSL.

Trees beginning 4777' from DER, 340' left of centerline, up to 358' MSL.

Trees beginning 4935' from DER, 325' right of centerline, up to 367' MSL.

22 FEB 2024 to 21 MAR 2024

22 FEB 2024 to 21 MAR 2024

TAKEOFF MINIMUMS, (OBSTACLE) DEPARTURE PROCEDURES, AND DIVERSE VECTOR AREA (RADAR VECTORS)

24025

SC-4

TAKEOFF MINIMUMS, (OBSTACLE) DEPARTURE PROCEDURES, AND DIVERSE VECTOR AREA (RADAR VECTORS)

24025

BATON ROUGE, LA

BATON ROUGE METRO, RYAN FLD (BTR)

TAKEOFF MINIMUMS AND (OBSTACLE) DEPARTURE PROCEDURES

AMDT 1B 17SEP15 (21112) (FAA)

TAKEOFF MINIMUMS:

Rwy 22R, 300-2¼ or std. w/min. climb of 229' per NM to 500.

DEPARTURE PROCEDURE:

Rwy 22L, climb heading 220° to 2000 before proceeding on course.

Rwy 22R, climb heading 220° to 2000 before proceeding on course.

TAKEOFF OBSTACLE NOTES:

Rwy 4L, vehicles on roadway 210' from DER, 482' right of centerline, 15' AGL/79' MSL.

Poles 631' from DER, 469' left of centerline, 23' AGL/92' MSL.

Trees beginning 1180' from DER, 153' left of centerline, up to 75' AGL/144' MSL.

Trees beginning 1380' from DER, 7' right of centerline, up to 79' AGL/148' MSL.

Transmission tower 2516' from DER, 897' left of centerline, 80' AGL/149' MSL.

Rwy 4R, vehicles on roadway 5' from DER, 392' right of centerline, up to 15' AGL/84' MSL.

Trees beginning 207' from DER, 128' right of centerline, up to 85' AGL/153' MSL.

Rwy 13, pole 300' from DER, 549' left of centerline, 22' AGL/91' MSL.

Vehicles on roadway 342' from DER, left and right of centerline, up to 15' AGL/84' MSL.

Antenna on building 479' from DER, 247' right of centerline, 22' AGL/91' MSL.

Sign 968' from DER, 741' right of centerline, 31' AGL/100' MSL.

Trees beginning 1395' from DER, 114' left of centerline, up to 97' AGL/166' MSL.

Trees beginning 1807' from DER, 203' right of centerline, up to 95' AGL/164' MSL.

Water tank 1631' from DER, 903' left of centerline, 50' AGL/117' MSL.

Rwy 22L, trees beginning 2140' from DER, 52' left of centerline, up to 90' AGL/156' MSL.

Tree 2371' from DER, 60' right of centerline, 69' AGL/135' MSL.

Sign 3507' from DER, 284' left of centerline, 77' AGL/163' MSL.

Rwy 22R, poles beginning 431' from DER, 81' right of centerline, up to 55' AGL/120' MSL.

Building 503' from DER, 481' right of centerline, 14' AGL/79' MSL.

Poles beginning 1063' from DER, 77' left of centerline, up to 93' AGL/158' MSL.

Trees beginning 1210' from DER, 352' left of centerline, up to 103' AGL/168' MSL.

Trees beginning 444' from DER, 108' right of centerline, up to 89' AGL/154' MSL.

Stacks beginning 9852' from DER, 2390' left of centerline, up to 311' AGL/366' MSL.

Rwy 31, fence 191' from DER, 468' right of centerline, 7' AGL/73' MSL.

Trees beginning 814' from DER, 120' right of centerline, up to 37' AGL/103' MSL.

Trees beginning 1076' from DER, 310' left of centerline, up to 70' AGL/136' MSL.

Poles 1353' from DER, 287' right of centerline, up to 57' AGL/123' MSL.

Tank 1862' from DER, 868' right of centerline, 53' AGL/119' MSL.

Poles beginning 2507' from DER, 274' left of centerline, up to 76' AGL/142' MSL.

BOGALUSA, LA

GEORGE R CARR MEML AIR FLD (BXA)

TAKEOFF MINIMUMS AND (OBSTACLE) DEPARTURE PROCEDURES

AMDT 3A 05MAR15 (21196) (FAA)

TAKEOFF MINIMUMS:

Rwy 18, 500-3 or std. w/min. climb of 253' per NM to 800.

TAKEOFF OBSTACLE NOTES:

Rwy 18, trees beginning 1273' from DER, 359' right of centerline, up to 89' AGL/200' MSL.

Trees beginning 1463' from DER, 333' left of centerline, up to 92' AGL/203' MSL.

Water tower 2734' from DER, 1047' left of centerline, 151' AGL/262' MSL.

Plant 1.6 NM from DER, 2404' left of centerline, 247' AGL/357' MSL.

Stack 1.6 NM from DER, 2143' left of centerline, 247' AGL/357' MSL.

Rwy 36, building 12' from DER, 305' right of centerline, 11' AGL/130' MSL.

BOONEVILLE/BALDWIN, MS

BOONEVILLE/BALDWIN (8M1)

TAKEOFF MINIMUMS AND (OBSTACLE) DEPARTURE PROCEDURES

ORIG 25OCT07 (07298) (FAA)

TAKEOFF OBSTACLE NOTES:

Rwy 15, trees 1250' from DER, 100' right of centerline, 100' AGL/465' MSL.

Trees 3847' from DER, 127' left of centerline, 100' AGL/519' MSL.

Rwy 33, road and vehicle 8' from DER, 188' right of centerline, 15' AGL/394' MSL.

TAKEOFF MINIMUMS, (OBSTACLE) DEPARTURE PROCEDURES, AND DIVERSE VECTOR AREA (RADAR VECTORS)

24025


TAKEOFF MINIMUMS, (OBSTACLE) DEPARTURE PROCEDURES, AND


DIVERSE VECTOR AREA (RADAR VECTORS)

24025

BROOKHAVEN, MS**BROOKHAVEN-LINCOLN COUNTY (1R7)****TAKEOFF MINIMUMS AND (OBSTACLE) DEPARTURE PROCEDURES**

AMDT 1A 20APR23 (23110) (FAA)

TAKEOFF OBSTACLE NOTES:

Rwy 5, tree, vehicle on road, pole, building beginning 23' from DER, 243' left of centerline, up to 524' MSL.
 Tree 42' from DER, 360' right of centerline, 531' MSL.
 Tree, pole, building beginning 141' from DER, 194' left of centerline, up to 548' MSL.
 Tree 191' from DER, 477' right of centerline, 536' MSL.
 Tree, vehicle on road, building, pole beginning 239' from DER, 26' left of centerline, up to 568' MSL.
 Tree, pole, building beginning 340' from DER, 17' right of centerline, up to 546' MSL.
 Tree, pole, tower beginning 904' from DER, 120' right of centerline, up to 561' MSL.
 Tree 1271' from DER, 558' right of centerline, 562' MSL.
 Tree, pole beginning 1293' from DER, 283' right of centerline, up to 570' MSL.
 Trees beginning 1537' from DER, 375' right of centerline, up to 574' MSL.
 Trees beginning 1830' from DER, 307' left of centerline, up to 569' MSL.
 Trees beginning 1868' from DER, 382' right of centerline, up to 580' MSL.
 Trees beginning 1970' from DER, 86' left of centerline, up to 585' MSL.
 Trees beginning 2093' from DER, 27' right of centerline, up to 584' MSL.
 Trees beginning 2498' from DER, 18' right of centerline, up to 586' MSL.
 Trees beginning 2734' from DER, 134' left of centerline, up to 586' MSL.
 Trees beginning 2924' from DER, 101' left of centerline, up to 587' MSL.
Rwy 23, tree, pole beginning 11' from DER, 40' right of centerline, up to 561' MSL.
 Tree, pole beginning 126' from DER, 20' left of centerline, up to 557' MSL.
 Tree, pole beginning 881' from DER, 10' left of centerline, up to 558' MSL.
 Tree 1088' from DER, 543' left of centerline, 567' MSL.
 Tree, pole beginning 1094' from DER, 137' left of centerline, up to 583' MSL.
 Tree, pole beginning 1253' from DER, 47' left of centerline, up to 586' MSL.
 Pole, transmission line, tree beginning 2336' from DER, 39' right of centerline, up to 580' MSL.

BUNKIE, LA**BUNKIE MUNI (2R6)****TAKEOFF MINIMUMS AND (OBSTACLE) DEPARTURE PROCEDURES**

ORIG 07MAY09 (09127) (FAA)

TAKEOFF OBSTACLE NOTES:

Rwy 18, trees 1404' from DER, 506' right of centerline, 50' AGL/109' MSL.
 Vehicle on road 481' from DER, 28' right of centerline, 15' AGL/74' MSL.

CLARKSDALE, MS**FLETCHER FLD (CKM)****TAKEOFF MINIMUMS AND (OBSTACLE) DEPARTURE PROCEDURES**

ORIG 25SEP08 (22195) (FAA)

TAKEOFF OBSTACLE NOTES:

Rwy 18, building 476' from DER, 495' right of centerline 168' AGL/215' MSL.
 Vehicle 995' from DER, 502' left of centerline, 165' AGL/190' MSL.
 Trees beginning 5619' from DER, 630' left of centerline, 158' AGL/273' MSL.
Rwy 36, trees beginning 2258' from DER, 220' left of centerline, 100' AGL/274' MSL.

CLEVELAND, MS**CLEVELAND MUNI (RNV)****TAKEOFF MINIMUMS AND (OBSTACLE) DEPARTURE PROCEDURES**

AMDT 2 03APR14 (14093) (FAA)

DEPARTURE PROCEDURE:

Rwy 18, climb heading 178° to 600 before turning eastbound.

TAKEOFF OBSTACLE NOTES:

Rwy 18, trees and poles beginning 797' from DER, 29' left and right of centerline, up to 40' AGL/180' MSL.
Rwy 36, poles beginning 1318' from DER, 66' left of centerline, up to 37' AGL/177' MSL.
 Tree 1418' from DER, 274' left of centerline, 39' AGL/179' MSL.

22 FEB 2024 to 21 MAR 2024

22 FEB 2024 to 21 MAR 2024


TAKEOFF MINIMUMS, (OBSTACLE) DEPARTURE PROCEDURES, AND


DIVERSE VECTOR AREA (RADAR VECTORS)

24025

SC-4

TAKEOFF MINIMUMS, (OBSTACLE) DEPARTURE PROCEDURES, AND DIVERSE VECTOR AREA (RADAR VECTORS)

24025

COLUMBIA, MS

COLUMBIA/MARION COUNTY (OR0)

TAKEOFF MINIMUMS AND (OBSTACLE) DEPARTURE PROCEDURES

AMDT 1 02DEC21 (21336) (FAA)

TAKEOFF MINIMUMS:

Rwys 13, 31, NA-Obstacles.

Rwy 5, 300-1½ or std. w/min. climb of 220' per NM to 500, or alternatively with standard takeoff minimums and a normal 200' per NM climb gradient, takeoff must occur no later than 1500 feet prior to DER.

TAKEOFF OBSTACLE NOTES:

Rwy 23, sign 8' from DER, 260' left of centerline, 3' AGL/246' MSL.

Pole, trees beginning 26' from DER, 293' right of centerline, up to 26' AGL/266' MSL.

Trees, building beginning 132' from DER, 339' right of centerline, up to 299' MSL.

Poles, transmission line beginning 244' from DER, 492' left of centerline, up to 45' AGL/275' MSL.

Tree, pole beginning 317' from DER, 11' right of centerline, up to 307' MSL.

Trees beginning 433' from DER, 464' left of centerline, up to 297' MSL.

Trees beginning 540' from DER, 176' left of centerline, up to 312' MSL.

Trees beginning 1489' from DER, 22' right of centerline, up to 319' MSL.

Trees beginning 1552' from DER, 40' left of centerline, up to 313' MSL.

Trees beginning 1906' from DER, 8' left of centerline, up to 317' MSL.

Tree 1953' from DER, 173' right of centerline, 320' MSL.

Trees beginning 1980' from DER, 39' right of centerline, up to 322' MSL.

Tree 2803' from DER, 642' left of centerline, 329' MSL.

Rwy 5, tree 24' from DER, 499' right of centerline, 326' MSL.

Terrain 159' from DER, 417' left of centerline, 275' MSL.

Trees beginning 225' from DER, 208' right of centerline, up to 332' MSL.

Tree 1213' from DER, 716' right of centerline, 342' MSL.

Trees beginning 1353' from DER, 10' right of centerline, up to 346' MSL.

Trees beginning 1907' from DER, 49' left of centerline, up to 328' MSL.

Trees beginning 1934' from DER, 19' left of centerline, up to 337' MSL.

Trees beginning 2218' from DER, 179' left of centerline, up to 346' MSL.

Trees beginning 2406' from DER, 74' right of centerline, up to 361' MSL.

Trees beginning 2504' from DER, 712' left of centerline, up to 358' MSL.

Trees, transmission line, pole beginning 2507' from DER, 94' left of centerline, up to 371' MSL.

Trees beginning 3173' from DER, 532' left of centerline, up to 374' MSL.

Tree 3411' from DER, 811' left of centerline, 377' MSL.

Tree 3483' from DER, 519' left of centerline, 380' MSL.

Tree 3578' from DER, 1000' left of centerline, 383' MSL.

Tree 3674' from DER, 1133' left of centerline, 384' MSL.

Trees beginning 3797' from DER, 70' right of centerline, up to 392' MSL.

COLUMBUS, MS

COLUMBUS-LOWNDES COUNTY (UBS)

TAKEOFF MINIMUMS AND (OBSTACLE) DEPARTURE PROCEDURES

ORIG-A 07APR11 (11097) (FAA)

TAKEOFF MINIMUMS:

Rwy 18, 300-1 or std. w/ min. climb of 350' per NM to 500.

Rwy 36, 500-3 or std. w/ min. climb of 280' per NM to 900.

DEPARTURE PROCEDURE:

Rwys 18, 36, climb runway heading to 600 before turning.

TAKEOFF OBSTACLE NOTES:

Rwy 36, tower 2.5 NM from DER, 3441' left of centerline, 492' AGL/657' MSL.

COLUMBUS AFB (KCBM)

COLUMBUS, MS

TAKEOFF MINIMUMS AND (OBSTACLE) DEPARTURE PROCEDURES

AMDT 2 21APR22 (22111) (USAF)

TAKEOFF MINIMUMS:

Rwy 13C, std. w/min. climb of 210' per NM to 700' or 300-1½. Alternatively, with std. takeoff mins and a std. 200' per NM climb gradient, takeoff must occur no later than 1400' prior to DER.

Rwy 13L, std. w/min. climb of 210' per NM to 700' or 300-1½. Alternatively, with std. takeoff mins and a std. 200' per NM climb gradient, takeoff must occur no later than 1300' prior to DER.

Rwy 13R, std. w/min. climb of 210' per NM to 700' or 300-1½. Alternatively, with std. takeoff mins and a std. 200' per NM climb gradient, takeoff must occur no later than 1300' prior to DER.

TAKEOFF OBSTACLE NOTES:

Rwy 13C, terrain 6070' from DER, 1202' left of centerline, 372' MSL.

Rwy 13L, terrain 1.0 NM from DER, 2048' left of centerline, 385' MSL.

Rwy 13R, terrain 0' from DER, 25' right of centerline, 206' MSL.

Terrain 1.1 NM from DER, 1580' right of centerline, 376' MSL.

Rwy 31C, trees 2250' from DER, 769' right of centerline, 74' AGL/251' MSL.

Rwy 31L, C-5 parked on stub 8 2147' from DER, 490' left of centerline, 66' AGL/240' MSL.

T1 ramp moc 548' from DER, 169' left of centerline, 14' AGL/204' MSL.

T1 ramp moc 550' from DER, 268' right of centerline, 14' AGL/205' MSL.

Rwy 31R, T1 ramp moc 83' from DER, 472' left of centerline, 14' AGL/197' MSL.

Trees 2124' from DER, 1104' right of centerline, 74' AGL/251' MSL.

TAKEOFF MINIMUMS, (OBSTACLE) DEPARTURE PROCEDURES, AND DIVERSE VECTOR AREA (RADAR VECTORS)

24025

SC-4

TAKEOFF MINIMUMS, (OBSTACLE) DEPARTURE PROCEDURES, AND DIVERSE VECTOR AREA (RADAR VECTORS)

24025

COLUMBUS AFB (KCBM) (CON'T)

COLUMBUS, MS (CON'T)

DIVERSE VECTOR AREA (RADAR VECTORS)

ORIG 02DEC21 (21336) (FAA)

Rwy 13C, required min. climb of 210' per NM to 700.

Rwy 13L, required min. climb of 210' per NM to 700.

Rwy 13R, required min. climb of 210' per NM to 700.

CORINTH, MS

ROSCOE TURNER (CRX)

TAKEOFF MINIMUMS AND (OBSTACLE) DEPARTURE PROCEDURES

ORIG 14FEB08 (08045) (FAA)

TAKEOFF OBSTACLE NOTES:

Rwy 18, vehicle on road 207' from DER, 481' right of centerline, 15' AGL/446' MSL.

Trees 305' from DER, 451' left of centerline, up to 71' AGL/500' MSL.

Trees 633' from DER, 505' right of centerline, up to 79' AGL/520' MSL.

Rwy 36, trees 1099' from DER, 766' right of centerline, up to 86' AGL/480' MSL.

Trees 1645' from DER, 751' left of centerline, up to 86' AGL/480' MSL.

COUSHATTA, LA

THE RED RIVER (OR7)

TAKEOFF MINIMUMS AND (OBSTACLE) DEPARTURE PROCEDURES

ORIG 25APR19 (19115) (FAA)

TAKEOFF OBSTACLE NOTES:

Rwy 18, trees beginning 43' from DER, 237' left of centerline, up to 225' MSL.

NAVAID, pole, tree beginning 113' from DER, 257' right of centerline, up to 56' AGL/215' MSL.

Tree 626' from DER, 383' right of centerline, 241' MSL.

Trees beginning 631' from DER, 490' right of centerline, up to 245' MSL.

Trees, pole beginning 816' from DER, 46' right of centerline, up to 251' MSL.

Tree 1280' from DER, 714' left of centerline, 228' MSL.

Trees beginning 1431' from DER, 628' left of centerline, up to 231' MSL.

Trees beginning 1607' from DER, 119' left of centerline, up to 235' MSL.

Trees beginning 1882' from DER, 765' left of centerline, up to 239' MSL.

Trees beginning 1985' from DER, 135' left of centerline, up to 240' MSL.

Trees beginning 2132' from DER, 297' left of centerline, up to 259' MSL.

Tree 2167' from DER, 148' right of centerline, 256' MSL.

Trees beginning 2175' from DER, 170' right of centerline, up to 257' MSL.

Trees beginning 2279' from DER, 140' left of centerline, up to 265' MSL.

Trees beginning 2290' from DER, 2' right of centerline, up to 263' MSL.

Trees beginning 3611' from DER, 277' left of centerline, up to 268' MSL.

Rwy 36, NAVAID 39' from DER, 110' right of centerline, 2' AGL/179' MSL.

NAVAID 40' from DER, 111' left of centerline, 3' AGL/180' MSL.

Tree 100' from DER, 452' left of centerline, 194' MSL.

Trees, terrain beginning 134' from DER, 231' right of centerline, up to 213' MSL.

Trees beginning 153' from DER, 250' left of centerline, up to 250' MSL.

Trees beginning 742' from DER, 83' right of centerline, up to 283' MSL.

Trees beginning 1523' from DER, 135' left of centerline, up to 261' MSL.

Tree 3492' from DER, 823' left of centerline, 277' MSL.

Tree 3634' from DER, 1134' left of centerline, 282' MSL.

Tree 3724' from DER, 933' left of centerline, 287' MSL.

Trees beginning 3868' from DER, 641' left of centerline, up to 299' MSL.

CRYSTAL SPRINGS, MS

COPIAH COUNTY (M11)

TAKEOFF MINIMUMS AND (OBSTACLE) DEPARTURE PROCEDURES

ORIG 01JAN19 (19003) (FAA)

TAKEOFF OBSTACLE NOTES:

Rwy 18, tree 57' from DER, 506' left of centerline, 407' MSL.

Tree 569' from DER, 491' left of centerline, 425' MSL.

Trees beginning 645' from DER, 588' left of centerline, up to 433' MSL.

Trees beginning 1020' from DER, 191' left of centerline, up to 443' MSL.

Trees beginning 1474' from DER, 209' left of centerline, up to 92' AGL/446' MSL.

Trees beginning 1524' from DER, 156' left of centerline, up to 453' MSL.

Tree 1861' from DER, 839' right of centerline, 446' MSL.

Trees beginning 1909' from DER, 169' left of centerline, up to 101' AGL/456' MSL.

Trees beginning 1936' from DER, 183' left of centerline, up to 107' AGL/461' MSL.

Tree 2148' from DER, 542' right of centerline, 450' MSL.

Tree 2197' from DER, 411' right of centerline, 458' MSL.

Tree 2705' from DER, 1057' left of centerline, 470' MSL.

Tree 2993' from DER, 71' left of centerline, 95' AGL/471' MSL.

CON'T

TAKEOFF MINIMUMS, (OBSTACLE) DEPARTURE PROCEDURES, AND DIVERSE VECTOR AREA (RADAR VECTORS)

24025


TAKEOFF MINIMUMS, (OBSTACLE) DEPARTURE PROCEDURES, AND


DIVERSE VECTOR AREA (RADAR VECTORS)

24025

CRYSTAL SPRINGS, MS (CON'T)**COPIAH COUNTY (M11) (CON'T)****Rwy 36**, trees beginning 58' from DER, 499' right of centerline, up to 77' AGL/480' MSL.

Trees beginning 350' from DER, 492' right of centerline, up to 487' MSL.

Pole 350' from DER, 587' left of centerline, 462' MSL.

Trees beginning 516' from DER, 508' right of centerline, up to 492' MSL.

Trees beginning 730' from DER, 539' right of centerline, up to 495' MSL.

Pole, vehicles on traverse way beginning 779' from DER, 517' left of centerline, up to 474' MSL.

Trees beginning 845' from DER, 481' right of centerline, up to 510' MSL.

Tree 1014' from DER, 567' right of centerline, 511' MSL.

Trees beginning 1070' from DER, 474' right of centerline, up to 512' MSL.

Tree 1133' from DER, 555' right of centerline, 516' MSL.

Trees beginning 1180' from DER, 440' right of centerline, up to 521' MSL.

Tree 1247' from DER, 717' left of centerline, 509' MSL.

Trees beginning 1325' from DER, 9' right of centerline, up to 527' MSL.

Trees beginning 1341' from DER, 5' left of centerline, up to 527' MSL.

Tree 1473' from DER, 294' right of centerline, 90' AGL/528' MSL.

Trees beginning 1481' from DER, 14' right of centerline, up to 89' AGL/529' MSL.

Trees beginning 1528' from DER, 1' right of centerline, up to 87' AGL/530' MSL.

Trees beginning 1554' from DER, on centerline, up to 88' AGL/532' MSL.

Trees beginning 1579' from DER, 1' left of centerline, up to 535' MSL.

Trees beginning 1935' from DER, 25' left of centerline, up to 538' MSL.

Trees beginning 1960' from DER, 4' left of centerline, up to 541' MSL.

Trees beginning 2326' from DER, 9' right of centerline, up to 533' MSL.

Trees beginning 2409' from DER, 116' right of centerline, up to 535' MSL.

Trees beginning 2530' from DER, 44' right of centerline, up to 538' MSL.

Trees beginning 3960' from DER, 60' right of centerline, up to 95' AGL/541' MSL.

Trees beginning 4262' from DER, 49' left of centerline, up to 95' AGL/543' MSL.

Trees beginning 4357' from DER, 33' left of centerline, up to 95' AGL/551' MSL.

DE QUINCY, LA**DE QUINCY INDUSTRIAL AIRPARK (5R8)****TAKEOFF MINIMUMS AND (OBSTACLE) DEPARTURE PROCEDURES****AMDT 1 05MAR15 (15064) (FAA)****TAKEOFF MINIMUMS:****Rwy 34**, 400-2 or std. w/min. climb of 280' per NM to 600.**TAKEOFF OBSTACLE NOTES:****Rwy 16**, trees beginning 26' from DER, 362' right of centerline, up to 20' AGL/98' MSL.

Trees beginning 1016' from DER, 679' right of centerline up to 70' AGL/145' MSL.

Trees beginning 1833' from DER, 574' right of centerline, up to 81' AGL/150' MSL.

Trees 2251' from DER, 206' right of centerline, up to 75' AGL/138' MSL.

Trees beginning 2277' from DER, 280' left of centerline, up to 82' AGL/145' MSL.

Trees 992' from DER, 590' left of centerline, up to 85' AGL/164' MSL.

Pole 815' from DER 708' left of centerline 37' AGL/115' MSL.

Trees 486' from DER, 538' left of centerline, up to 55' AGL/128' MSL.

Rwy 34, sign 15' from DER, 214' left of centerline, 8' AGL/81' MSL.

NAVAIDS beginning 29' from DER, 110' left of centerline up to 5' AGL/75' MSL.

Trees beginning 81' from DER, 341' right of centerline, up to 8' AGL/81' MSL.

Pole 138' from DER, 483' right of centerline, 41' AGL/109' MSL.

Trees beginning 256' from DER, 521' left of centerline up to 75' AGL/157' MSL.

Telephone line 1377' from DER, 293' left of centerline, 40' AGL/119' MSL.

Telephone line 1376' from DER, 294' right of centerline, 39' AGL/117' MSL.

Trees beginning 1431' from DER, 491' right of centerline, up to 74' AGL/136' MSL.

22 FEB 2024 to 21 MAR 2024

22 FEB 2024 to 21 MAR 2024


TAKEOFF MINIMUMS, (OBSTACLE) DEPARTURE PROCEDURES, AND


DIVERSE VECTOR AREA (RADAR VECTORS)

24025

TAKEOFF MINIMUMS, (OBSTACLE) DEPARTURE PROCEDURES, AND DIVERSE VECTOR AREA (RADAR VECTORS)

24025

DE RIDDER, LA

BEAUREGARD RGNL (DRI)

TAKEOFF MINIMUMS AND (OBSTACLE) DEPARTURE PROCEDURES
AMDT 5 08NOV18 (18312) (FAA)

TAKEOFF MINIMUMS:

Rwy 32, 300-2¼ or std. w/min. climb of 215' per NM to 600.

TAKEOFF OBSTACLE NOTES:

Rwy 14, vehicle on road 707' from DER, 613' left of centerline, 15' AGL/224' MSL.
Trees beginning 1307' from DER, 566' right of centerline, up to 100' AGL/299' MSL.
Trees beginning 1765' from DER, 40' right of centerline, up to 100' AGL/309' MSL.
Rwy 18, trees beginning 52' from DER, 222' left of centerline, up to 220' MSL.
Tree 151' from DER, 271' right of centerline, 100' AGL/208' MSL.
Trees beginning 580' from DER, 353' right of centerline, up to 263' MSL.
Rwy 32, vegetation 129' from DER, 162' left of centerline, 203' MSL.
Vegetation 164' from DER, 227' left of centerline, 205' MSL.
Tree, vegetation beginning 251' from DER, 16' left of centerline, up to 248' MSL.
Tree 298' from DER, 189' right of centerline, 216' MSL.
Trees beginning 610' from DER, 141' left of centerline, up to 100' AGL/299' MSL.
Trees beginning 722' from DER, 203' right of centerline, up to 100' AGL/309' MSL.
Tower 1.7 NM from DER, 1400' right of centerline, 275' AGL/479' MSL.
Rwy 36, trees beginning 556' from DER, 351' right of centerline, up to 266' MSL.
Pole 563' from DER, 352' left of centerline, 36' AGL/238' MSL.
Trees beginning 634' from DER, 369' left of centerline, up to 285' MSL.
Trees beginning 650' from DER, 1' left of centerline, up to 295' MSL.
Tree 659' from DER, 558' right of centerline, 270' MSL.
Trees beginning 710' from DER, 465' right of centerline, up to 273' MSL.
Trees beginning 2033' from DER, 140' right of centerline, up to 284' MSL.
Tree 2234' from DER, 372' right of centerline, 290' MSL.
Tree 2304' from DER, 313' right of centerline, 291' MSL.
Trees beginning 2372' from DER, 73' right of centerline, up to 299' MSL.
Trees beginning 2615' from DER, 219' left of centerline, up to 298' MSL.
Trees beginning 2784' from DER, 184' left of centerline, up to 299' MSL.
Tree 3607' from DER, 540' left of centerline, 305' MSL.
Tree 4277' from DER, 473' left of centerline, 313' MSL.

DREW, MS

RULEVILLE-DREW (M37)

TAKEOFF MINIMUMS AND (OBSTACLE) DEPARTURE PROCEDURES
ORIG 11MAR10 (10070) (FAA)

TAKEOFF OBSTACLE NOTES:

Rwy 18, trees beginning 215' from DER, 521' left of centerline, up to 100' AGL/229' MSL.
Rwy 36, trees beginning 3438' from DER, 225' left of centerline, up to 100' AGL/234' MSL.

EUNICE, LA

EUNICE (4R7)

TAKEOFF MINIMUMS AND (OBSTACLE) DEPARTURE PROCEDURES
AMDT 2 30OCT03 (03303) (FAA)

TAKEOFF MINIMUMS:

Rwy 16, 1100-2½, climb in visual conditions to cross Eunice airport at or above 1000 MSL before proceeding on course or std. w/min. climb of 280' per NM to 2400.
Rwy 34, 1100-2½, climb in visual conditions to cross Eunice airport at or above 1000 MSL before proceeding on course or std. w/min. climb of 220' per NM to 2400.

CAUTION: Unmarked balloon and cable to 15000 in R-3807.

Rwy 16, 133'/56.1 NM.
Rwy 34, 132'/55.4 NM.

GALLIANO, LA

SOUTH LAFOURCHE LEONARD MILLER JR (GAO)

TAKEOFF MINIMUMS AND (OBSTACLE) DEPARTURE PROCEDURES
ORIG 25SEP08 (08269) (FAA)

TAKEOFF OBSTACLE NOTES:

Rwy 18, multiple trees beginning 1258' from DER, 661' left of centerline, up to 45' AGL/56' MSL.
Multiple trees beginning 127' from DER, 275' right of centerline, up to 45' AGL/53' MSL.
Rwy 36, tree 14' from DER, 454' right of centerline, up to 35' AGL/45' MSL.
Multiple trees beginning 1391' from DER, 449' right of centerline, up to 55' AGL/86' MSL.
Multiple trees beginning 2288' from DER, 291' left of centerline, up to 55' AGL/97' MSL.

22 FEB 2024 to 21 MAR 2024

22 FEB 2024 to 21 MAR 2024

TAKEOFF MINIMUMS, (OBSTACLE) DEPARTURE PROCEDURES, AND DIVERSE VECTOR AREA (RADAR VECTORS)

24025

SC-4

TAKEOFF MINIMUMS, (OBSTACLE) DEPARTURE PROCEDURES, AND DIVERSE VECTOR AREA (RADAR VECTORS)

24025

GONZALES, LA

LOUISIANA RGNL (REG)

TAKEOFF MINIMUMS AND (OBSTACLE) DEPARTURE PROCEDURES

AMDT 2 02MAR17 (17061) (FAA)

TAKEOFF OBSTACLE NOTES:

Rwy 17, vehicle 25' from DER, 103' left of centerline, 7' AGL/18' MSL.

Vehicle 42' from DER, 119' left of centerline, 9' AGL/20' MSL.

Tree 115' from DER, 380' left of centerline, 45' MSL.

Tree 131' from DER, 379' right of centerline, 49' MSL.

Tree 360' from DER, 515' right of centerline, 61' MSL.

Tree 380' from DER, 477' left of centerline, 76' MSL.

Trees beginning 836' from DER, 270' right of centerline, up to 115' MSL.

Rwy 35, Rwy lt 5' from DER, 22' right of centerline, 1' AGL/13' MSL.

Rwy lt 6' from DER, 27' left of centerline, 1' AGL/14' MSL.

Tree 190' from DER, 379' left of centerline, 26' MSL.

Tree 197' from DER, 378' right of centerline, 38' MSL.

Trees beginning 679' from DER, 463' left of centerline, up to 76' MSL.

Trees beginning 691' from DER, 402' right of centerline, up to 77' MSL.

Trees beginning 779' from DER, 395' right of centerline, up to 80' MSL.

Trees beginning 863' from DER, 392' right of centerline, up to 81' MSL.

Trees beginning 869' from DER, 436' left of centerline, up to 113' MSL.

Tree 1008' from DER, 393' right of centerline, 84' MSL.

Trees beginning 1031' from DER, 30' right of centerline, up to 110' MSL.

Trees beginning 1720' from DER, 31' left of centerline, up to 116' MSL.

Tree 2808' from DER, 71' right of centerline, 111' MSL.

Trees beginning 2866' from DER, 4' right of centerline, up to 114' MSL.

Trees beginning 3654' from DER, 26' left of centerline, up to 120' MSL.

Tree 3816' from DER, 420' left of centerline, 125' MSL.

GREENVILLE, MS

GREENVILLE MID-DELTA (GLH)

TAKEOFF MINIMUMS AND (OBSTACLE) DEPARTURE PROCEDURES

AMDT 1 25JAN24 (24025) (FAA)

TAKEOFF OBSTACLE NOTES:

Rwy 18L, tree 3503' from DER, 858' right of centerline, 219' MSL.

Tree 3995' from DER, 1065' left of centerline, 236' MSL.

Rwy 18R, tree 1207' from DER, 540' right of centerline, 206' MSL.

Tree 3503' from DER, 704' left of centerline, 219' MSL.

Tree 3871' from DER, 501' right of centerline, 237' MSL.

GREENWOOD, MS

GREENWOOD-LEFLORE (GWO)

TAKEOFF MINIMUMS AND (OBSTACLE) DEPARTURE PROCEDURES

AMDT 7 07MAR13 (13066) (FAA)

TAKEOFF MINIMUMS:

Rwy 5, std. w/min. climb of 255' per NM to 1000, or 1000-2½ for climb in visual conditions.

DEPARTURE PROCEDURE:

Rwy 5, for climb in visual conditions, cross Greenwood-Leflore airport at or above 1000 before proceeding on course. When executing VCOA, notify ATC prior to departure.

TAKEOFF OBSTACLE NOTES:

Rwy 5, trees beginning 95' from DER, 6' left of centerline, up to 49' AGL/240' MSL.

Trees beginning 765' from DER, 42' right of centerline, up to 84' AGL/180' MSL.

Trees beginning 2812' from DER, left and right of centerline, up to 99' AGL/259' MSL.

Trees beginning 1.2 NM from DER, 1608' right of centerline, up to 123' AGL/392' MSL.

Rwy 23, bushes beginning 137' from DER, 219' left of centerline, up to 24' AGL/ 160' MSL.

Bushes and trees beginning 233' from DER, 20' right of centerline, up to 82' AGL/251' MSL.

Trees beginning 1031' from DER, 14' left of centerline, up to 112' AGL/252' MSL.

Rwy 36, sign 25' from DER, 242' right of centerline, 3' AGL/148' MSL.

Trees beginning 743' from DER, 91' left of centerline, up to 95' AGL/257' MSL.

Trees beginning 1037' from DER, 662' right of centerline, up to 45' AGL/242' MSL.

22 FEB 2024 to 21 MAR 2024

22 FEB 2024 to 21 MAR 2024

TAKEOFF MINIMUMS, (OBSTACLE) DEPARTURE PROCEDURES, AND DIVERSE VECTOR AREA (RADAR VECTORS)

24025

SC-4

TAKEOFF MINIMUMS, (OBSTACLE) DEPARTURE PROCEDURES, AND DIVERSE VECTOR AREA (RADAR VECTORS)

24025

GRENADA, MS

GRENADA MUNI (GNF)

TAKEOFF MINIMUMS AND (OBSTACLE) DEPARTURE PROCEDURES

AMDT 2 02MAY13 (13122) (FAA)

TAKEOFF MINIMUMS:

Rwy 31, 300-1 or std. w/ min. climb of 240' per NM to 500, or alternatively with standard takeoff minimums and a normal 200' per NM climb gradient, takeoff must occur no later than 1800' prior to DER.

DEPARTURE PROCEDURE:

Rwy 4, climb heading 051° to 700 before turning left.

Rwy 22, climb heading 231° to 700 before turning left.

TAKEOFF OBSTACLE NOTES:

Rwy 4, trees beginning 320' from DER, 10' left of centerline, up to 100' AGL/299' MSL.

Trees beginning 630' from DER, 650' left of centerline, up to 100' AGL/300' MSL.

Road and vehicles beginning 45' from DER, from 292' left of centerline to 320' right of centerline, up to 15' AGL/215' MSL.

Rwy 13, trees beginning 28' from DER, 60' right of centerline, up to 100' AGL/296' MSL.

Trees beginning 1110' from DER, 11' left of centerline, up to 100' AGL/293' MSL.

Rwy 22, trees beginning 940' from DER, 617' right of centerline, up to 100' AGL/290' MSL.

Pole and trees 874' from DER, 382' left of centerline, 100' AGL/290' MSL.

Rwy 31, vehicle on road 2' from DER, 188' right of centerline, 15' AGL/222' MSL.

Pole 4749' from DER, 1284' left of centerline, 110' AGL/330' MSL.

Trees beginning 192' from DER, 482' right of centerline, up to 100' AGL/359' MSL.

Trees beginning 2442' from DER, 575' left of centerline, up to 100' AGL/361' MSL.

GULFPORT, MS

GULFPORT-BILOXI INTL (GPT)

TAKEOFF MINIMUMS AND (OBSTACLE) DEPARTURE PROCEDURES

AMDT 6A 07OCT21 (21280) (FAA)

TAKEOFF MINIMUMS:

Rwy 36, 500-3 or std. w/min. climb of 292' per NM to 300.

DEPARTURE PROCEDURE:

Rwy 36, climb on heading 013° to 700 before proceeding on course.

TAKEOFF OBSTACLE NOTES:

Rwy 14, tree 1029' from DER, 741' right of centerline, 57' MSL.

Trees beginning 1438' from DER, 732' left of centerline, up to 93' MSL.

Trees beginning 1908' from DER, 459' left of centerline, up to 98' MSL.

Pole 3354' from DER, 1067' right of centerline, 85' AGL/115' MSL.

Tree 3430' from DER, 1028' left of centerline, 108' MSL.

Trees beginning 3445' from DER, 1278' left of centerline, up to 110' MSL.

Rwy 18, terrain 2' from DER, 479' right of centerline, 27' MSL.

Tree 731' from DER, 321' right of centerline, 48' MSL.

Trees beginning 928' from DER, 268' right of centerline, up to 60' MSL.

Trees beginning 1274' from DER, 540' right of centerline, up to 64' MSL.

Tree 1373' from DER, 207' left of centerline, 71' MSL.

Trees beginning 1485' from DER, 32' right of centerline, up to 72' MSL.

Tree 1745' from DER, 87' left of centerline, 76' MSL.

Tree 1948' from DER, 1017' right of centerline, 84' MSL.

Pole 2509' from DER, 773' right of centerline, 89' MSL.

Trees beginning 2670' from DER, 376' right of centerline, up to 97' MSL.

Tower 5412' from DER, 1579' left of centerline, 139' AGL/172' MSL.

Rwy 32, tree 1272' from DER, 833' left of centerline, 60' MSL.

Pole 1294' from DER, 835' right of centerline, 56' MSL.

Trees beginning 1405' from DER, 819' left of centerline, up to 85' MSL.

Trees beginning 1586' from DER, 796' right of centerline, up to 98' MSL.

Tree 1903' from DER, 894' left of centerline, 88' MSL.

Tree 1907' from DER, 922' left of centerline, 92' MSL.

Tree 3063' from DER, 1021' left of centerline, 99' MSL.

Rwy 36, fence 1' from DER, 472' left of centerline, 6' AGL/25' MSL.

Vehicle on road 302' from DER, 568' right of centerline, 36' MSL.

Vehicle on road 325' from DER, 543' left of centerline, 33' MSL.

Vehicle on road 429' from DER, 633' right of centerline, 35' MSL.

Pole 553' from DER, 623' left of centerline, 46' MSL.

Building 592' from DER, 713' right of centerline, 44' MSL.

Tree 1337' from DER, 1005' right of centerline, 65' MSL.

Tree 1473' from DER, 705' right of centerline, 66' MSL.

Tree 1530' from DER, 486' left of centerline, 65' MSL.

Trees beginning 1619' from DER, 566' right of centerline, up to 88' MSL.

Trees beginning 1667' from DER, 651' left of centerline, up to 85' MSL.

Tree 1760' from DER, 1049' right of centerline, 67' MSL.

Trees beginning 1970' from DER, 231' left of centerline, up to 103' MSL.

Tree 2776' from DER, 330' right of centerline, 81' AGL/94' MSL.

Trees beginning 2784' from DER, 350' right of centerline, up to 85' AGL/97' MSL.

Tower 2.4 NM from DER, 4248' left of centerline, 406' AGL/457' MSL.

Tower 2.4 NM from DER, 4050' left of centerline, 406' AGL/457' MSL.

Tower 2.5 NM from DER, 3969' left of centerline, 406' AGL/457' MSL.

22 FEB 2024 to 21 MAR 2024

22 FEB 2024 to 21 MAR 2024

TAKEOFF MINIMUMS, (OBSTACLE) DEPARTURE PROCEDURES, AND DIVERSE VECTOR AREA (RADAR VECTORS)

24025

SC-4

TAKEOFF MINIMUMS, (OBSTACLE) DEPARTURE PROCEDURES, AND DIVERSE VECTOR AREA (RADAR VECTORS)

24025

HAMMOND, LA

HAMMOND NORTHSHORE RGNL (HDC)

TAKEOFF MINIMUMS AND (OBSTACLE) DEPARTURE PROCEDURES

AMDT 1 08APR10 (10098) (FAA)

DEPARTURE PROCEDURE:

Rwy 31, climb heading 312° to 700 before turning left.

TAKEOFF OBSTACLE NOTES:

Rwy 13, trees beginning 1260' from DER, 125' left of centerline, up to 119' AGL/163' MSL.

Trees beginning 1314' from DER, 186' right of centerline, up to 124' AGL/168' MSL.

Rwy 18, antenna on building 844' from DER, 239' right of centerline, 22' AGL/66' MSL.

Obstruction light on pole 1020' from DER, 141' right of centerline, 23' AGL/67' MSL.

Trees beginning 1556' from DER, 430' left of centerline, up to 92' AGL/136' MSL.

Trees beginning 1747' from DER, 64' right of centerline, up to 110' AGL/149' MSL.

Rwy 31, trees beginning 216' from DER, 13' left of centerline, up to 109' AGL/158' MSL.

Trees beginning 566' from DER, 386' right of centerline, up to 100' AGL/154' MSL.

Rwy 36, tree 3072' from DER, 879' left of centerline, 73' AGL/127' MSL.

Tree 3585' from DER, 1407' right of centerline, 102' AGL/151' MSL.

HATTIESBURG, MS

HATTIESBURG BOBBY L. CHAIN MUNI (HBG)

TAKEOFF MINIMUMS AND (OBSTACLE) DEPARTURE PROCEDURES

AMDT 1 15JAN09 (09015) (FAA)

DEPARTURE PROCEDURE:

Rwy 31, climb heading 309° to 900 before turning west.

TAKEOFF OBSTACLE NOTES:

Rwy 13, numerous trees beginning 1184' from DER, 26' left of centerline, up to 111' AGL/251' MSL.

Multiple trees beginning 2023' from DER, 49' right of centerline, up to 89' AGL/229'.

Rwy 31, numerous trees beginning 189' from DER, 111' left of centerline, up to 103' AGL/253' MSL.

Multiple trees beginning 894' from DER, 69' right of centerline, up to 84' AGL/234' MSL.

HATTIESBURG-LAUREL, MS

HATTIESBURG/LAUREL RGNL (PIB)

TAKEOFF MINIMUMS AND (OBSTACLE) DEPARTURE PROCEDURES

AMDT 4 06DEC18 (21336) (FAA)

DEPARTURE PROCEDURE:

Rwys 18, 36, climb runway heading to 1000 before turning east.

TAKEOFF OBSTACLE NOTES:

Rwy 18, tree 50' from DER, 275' right of centerline, 304' MSL.

Tree 194' from DER, 325' right of centerline, 318' MSL.

Trees beginning 346' from DER, 467' left of centerline, up to 329' MSL.

Tree 531' from DER, 466' left of centerline, 331' MSL.

Tree 1019' from DER, 579' right of centerline, 331' MSL.

Trees beginning 1051' from DER, 264' right of centerline, up to 340' MSL.

Tree 1134' from DER, 465' left of centerline, 332' MSL.

Trees beginning 1172' from DER, 371' right of centerline, up to 343' MSL.

Tree 1438' from DER, 536' left of centerline, 342' MSL.

Rwy 36, tree 515' from DER, 551' right of centerline, 326' MSL.

Trees beginning 760' from DER, 639' right of centerline, up to 329' MSL.

Tree 1579' from DER, 660' left of centerline, 345' MSL.

Tree 1840' from DER, 923' left of centerline, 369' MSL.

HOLLY SPRINGS, MS

HOLLY SPRINGS-MARSHALL COUNTY (M41)

TAKEOFF MINIMUMS AND (OBSTACLE) DEPARTURE PROCEDURES

AMDT 1A 06MAR14 (14065) (FAA)

TAKEOFF OBSTACLE NOTES:

Rwy 18, trees and vertical structure beginning 1' from DER, 249' right of centerline, up to 76' AGL/627' MSL.

Trees beginning 182' from DER, 390' left of centerline, up to 85' AGL/636' MSL.

Trees and vertical structure beginning 637' from DER, 20' right of centerline, up to 91' AGL/642' MSL.

Trees beginning 701' from DER, 63' left of centerline, up to 96' AGL/647' MSL.

Rwy 36, trees beginning 22' from DER, 283' left of centerline, up to 66' AGL/582' MSL.

Pole and trees beginning 501' from DER, 376' right of centerline, up to 56' AGL/572' MSL.

TAKEOFF MINIMUMS, (OBSTACLE) DEPARTURE PROCEDURES, AND DIVERSE VECTOR AREA (RADAR VECTORS)

24025

SC-4

TAKEOFF MINIMUMS, (OBSTACLE) DEPARTURE PROCEDURES, AND DIVERSE VECTOR AREA (RADAR VECTORS)

24025

HOUMA, LA

HOUMA-TERREBONNE (HUM)

TAKEOFF MINIMUMS AND (OBSTACLE) DEPARTURE PROCEDURES

AMDT 5 02JUL09 (09183) (FAA)

DEPARTURE PROCEDURE:

Rwy 30, climb heading 304° to 600 before proceeding on course.

TAKEOFF OBSTACLE NOTES:

Rwy 12, trees and equipment building beginning 86' from DER, 254' left of centerline, up to 40' AGL/44' MSL. Ground and tree beginning 220' from DER, 202' right of centerline, up to 29' AGL/33' MSL.

Rwy 18, trees and poles beginning 923' from DER, 238' left of centerline, up to 100' AGL/109' MSL. Trees beginning 249' from DER, 345' right of centerline, up to 60' AGL/64' MSL.

Rwy 30, trees beginning 802' from DER, 93' left of centerline, up to 60' AGL/64' MSL. Poles and road beginning 527' from DER, 427' right of centerline, up to 38' AGL/42' MSL.

Rwy 36, antenna 1589' from DER, 882' left of centerline, 63' AGL/72' MSL. Trees beginning 2894' from DER, 971' right of centerline, up to 100' AGL/109' MSL.

INDIANOLA, MS

INDIANOLA MUNI (IDL)

TAKEOFF MINIMUMS AND (OBSTACLE) DEPARTURE PROCEDURES

AMDT 1 23SEP10 (10266) (FAA)

DEPARTURE PROCEDURE:

Rwy 18, climb heading 180° to 1800 before turning East.

Rwy 36, climb heading 360° to 800 before turning East.

TAKEOFF OBSTACLE NOTES:

Rwy 18, trees beginning 383' from DER, 75' left of centerline, up to 81' AGL/201' MSL.

Trees beginning 385' from DER, 165' right of centerline, up to 90' AGL/210' MSL.

Rwy 36, fence 37' from DER, 400' left of centerline, 6' AGL/129' MSL.

Trees beginning 898' from DER, 684' right of centerline, up to 100' AGL/224' MSL.

Trees beginning 1086' from DER, 576' left of centerline, up to 100' AGL/224' MSL.

IUKA, MS

IUKA (15M)

TAKEOFF MINIMUMS AND (OBSTACLE) DEPARTURE PROCEDURES

ORIG 14JUL22 (22195) (FAA)

TAKEOFF OBSTACLE NOTES:

Rwy 1, tree, terrain beginning 5' from DER, 282' right of centerline, up to 682' MSL.

Electrical system, fence, trees beginning 35' from DER, 487' left of centerline, up to 33' AGL/671' MSL.

Trees, terrain beginning 175' from DER, 133' right of centerline, up to 691' MSL.

Tree 1310' from DER, 598' left of centerline, 700' MSL.

Trees beginning 1312' from DER, 160' left of centerline, up to 703' MSL.

Trees beginning 1414' from DER, 7' right of centerline, up to 697' MSL.

Trees beginning 1512' from DER, 137' right of centerline, up to 698' MSL.

Tree 1513' from DER, 547' left of centerline, 707' MSL.

Trees beginning 1555' from DER, 149' left of centerline, up to 708' MSL.

Tree 1575' from DER, 429' left of centerline, 709' MSL.

Trees beginning 1622' from DER, 47' left of centerline, up to 721' MSL.

Trees beginning 1667' from DER, 38' right of centerline, up to 709' MSL.

Trees beginning 1961' from DER, 43' left of centerline, up to 729' MSL.

Rwy 19, vegetation 7' from DER, 133' right of centerline, 621' MSL.

Trees, pole beginning 77' from DER, 38' right of centerline, up to 683' MSL.

Terrain 90' from DER, 121' left of centerline, 623' MSL.

Tree 123' from DER, 240' left of centerline, 676' MSL.

Trees beginning 129' from DER, 378' left of centerline, up to 701' MSL.

Trees beginning 271' from DER, 373' left of centerline, up to 703' MSL.

Trees, pole beginning 787' from DER, 19' left of centerline, up to 709' MSL.

22 FEB 2024 to 21 MAR 2024

22 FEB 2024 to 21 MAR 2024

TAKEOFF MINIMUMS, (OBSTACLE) DEPARTURE PROCEDURES, AND DIVERSE VECTOR AREA (RADAR VECTORS)

24025

SC-4

TAKEOFF MINIMUMS, (OBSTACLE) DEPARTURE PROCEDURES, AND DIVERSE VECTOR AREA (RADAR VECTORS)

24025

JACKSON, MS

HAWKINS FLD (HKS)

TAKEOFF MINIMUMS AND (OBSTACLE) DEPARTURE PROCEDURES

AMDT 1A 20JUN19 (21112) (FAA)

TAKEOFF MINIMUMS:

Rwy 11, 300-1¼ or std. w/min. climb of 235' per NM to 600, alternatively with std. takeoff minimums and a normal 200' per NM climb gradient, takeoff must occur no later than 1800' prior to DER.

Rwy 16, std. w/min. climb of 300' per NM to 2000.

DEPARTURE PROCEDURE:

Rwy 11, climb heading 115° to 900 before proceeding on course.

Rwy 16, climb heading 159° to 1400 before turning right.

Rwy 29, climb heading 295° to 1400 before turning left.

Rwy 34, climb heading 339° to 900 before proceeding on course.

TAKEOFF OBSTACLE NOTES:

Rwy 11, trees beginning 1141' from DER, 33' right of centerline, up to 100' AGL/374' MSL.

Trees beginning 460' from DER, 155' left of centerline, up to 100' AGL/406' MSL.

Tower 5514' from DER, 1566' left of centerline, 164' AGL/483' MSL.

Rwy 16, trees beginning 1023' from DER, 373' right of centerline, up to 100' AGL/438' MSL.

Trees beginning 588' from DER, 27' left of centerline, up to 100' AGL/449' MSL.

Rwy 29, hangar, 481' from DER, 357' right of centerline, 13' AGL/332' MSL.

Light, 880' from DER, 255' left of centerline, 10' AGL/339' MSL.

Antenna on hangar, 1065' from DER, 595' right of centerline, 40' AGL/362' MSL.

Trees beginning 698' from DER, 186' left of centerline, up to 100' AGL/426' MSL.

Rwy 34, terrain 50' from DER, 316' right of centerline, 345' MSL.

Trees, 2700' from DER, 884' left of centerline, up to 100' AGL/410' MSL.

JACKSON-MEDGAR WILEY EVERS INTL (JAN)

TAKEOFF MINIMUMS AND (OBSTACLE) DEPARTURE PROCEDURES

AMDT 2 19SEP13 (13262) (FAA)

TAKEOFF MINIMUMS:

Rwy 16R, 200-1¼ or std. w/min. climb of 227' per NM to 600.

TAKEOFF OBSTACLE NOTES:

Rwy 16L, trees beginning 1130' from DER, 722' left of centerline, up to 68' AGL/408' MSL.

Trees, beginning 1231' from DER, 321' left of centerline, up to 81' AGL/421' MSL.

Trees beginning 2323' from DER, 158' left of centerline, up to 123' AGL/459' MSL.

Tree 3159' from DER, 169' right of centerline, 108' AGL/435' MSL.

Rwy 16R, trees beginning 1411' from DER, 766' left of centerline, up to 65' AGL/405' MSL.

Tree 3824' from DER, 1210' left of centerline, 86' AGL/426' MSL.

Trees 5211' from DER, 1882' left of centerline, up to 85' AGL/482' MSL.

Trees beginning 2648' from DER, 537' right of centerline, up to 95' AGL/425' MSL.

Rwy 34L, trees beginning 2165' from DER, left and right of centerline, up to 120' AGL/402' MSL.

Rwy 34R, trees beginning 3117' from DER, 953' left of centerline, up to 108' AGL/396' MSL.

Trees beginning 2273' from DER, 1002' right of centerline, up to 93' AGL/374' MSL.

JENNINGS, LA

JENNINGS (3R7)

TAKEOFF MINIMUMS AND (OBSTACLE) DEPARTURE PROCEDURES

AMDT 2B 25FEB21 (21056) (FAA)

TAKEOFF MINIMUMS:

Rwy 13, 300-1 or std. w/ min. climb of 400' per NM to 300.

Rwys 17, 35, NA - Environmental.

TAKEOFF OBSTACLE NOTES:

Rwy 8, vehicles on road 112' from DER, 479' left of centerline, 37' MSL.

Pole 1294' from DER, 177' left of centerline, 43' AGL/65' MSL.

Pole 1458' from DER, 349' left of centerline, 42' AGL/74' MSL.

Pole 1659' from DER, 316' left of centerline, 42' AGL/78' MSL.

Pole 2065' from DER, 241' left of centerline, 41' AGL/85' MSL.

Pole 2278' from DER, 204' left of centerline, 44' AGL/88' MSL.

Rwy 13, tree, pole beginning 689' from DER, 261' left of centerline, up to 71' MSL.

Power lines beginning 1182' from DER, 34' right of centerline, up to 81' AGL/106' MSL.

Power lines, tree beginning 1403' from DER, 20' left of centerline, up to 90' AGL/116' MSL.

Tree 2027' from DER, 490' left of centerline, 126' MSL.

Trees 2102' from DER, 362' left of centerline, 141' MSL.

Tank 3491' from DER, 1087' left of centerline, 172' AGL/197' MSL.

Tree 3495' from DER, 1154' right of centerline, 119' MSL.

Rwy 26, tree 185' from DER, 416' right of centerline, 26' MSL.

Tree 1090' from DER, 65' right of centerline, 56' MSL.

Tree 1137' from DER, 407' left of centerline, 47' MSL.

Tree 1558' from DER, 722' right of centerline, 66' MSL.

Rwy 31, fence 104' from DER, 395' right of centerline, 7' AGL/21' MSL.

Tree 353' from DER, 381' left of centerline, 56' MSL.

Tree, sign beginning 448' from DER, 215' left of centerline, up to 62' MSL.

TAKEOFF MINIMUMS, (OBSTACLE) DEPARTURE PROCEDURES, AND DIVERSE VECTOR AREA (RADAR VECTORS)

24025

SC-4

TAKEOFF MINIMUMS, (OBSTACLE) DEPARTURE PROCEDURES, AND DIVERSE VECTOR AREA (RADAR VECTORS)

24025

JONESBORO, LA

JONESBORO (F88)

TAKEOFF MINIMUMS AND (OBSTACLE) DEPARTURE PROCEDURES

ORIG 31MAY12 (12152) (FAA)

TAKEOFF OBSTACLE NOTES:

Rwy 18, trees beginning 211' from DER, 352' right of centerline, up to 100' AGL/349' MSL.

Trees beginning 270' from DER, 462' left of centerline, up to 100' AGL/369' MSL.

Rwy 36, trees beginning 200' from DER, 386' left of centerline, up to 100' AGL/339' MSL.

Trees beginning 375' from DER, 502' right of centerline, up to 100' AGL/339' MSL.

KEESLER AFB (KBIX)

BILOXI, MS

TAKEOFF MINIMUMS AND (OBSTACLE) DEPARTURE PROCEDURES

AMDT 2 10AUG23 (23222) (USAF)

TAKEOFF OBSTACLE NOTES:

Rwy 4, trees 1625' from DER, 726' right of centerline, 51' AGL/62' MSL.

Trees 1977' from DER, 728' right of centerline, 65' AGL/76' MSL.

Rwy 22, trees 1794' from DER, 660' left of centerline, 49' AGL/68' MSL.

Trees 1927' from DER, 709' right of centerline, 71' AGL/101' MSL.

Pylons-street light 1193' from DER, 443' right of centerline, 30' AGL/61' MSL.

Trees 2704' from DER, 728' right of centerline, 70' AGL/96' MSL.

Trees 1904' from DER, 668' right of centerline, 71' AGL/101' MSL.

KOSCIUSKO, MS

KOSCIUSKO-ATTALA COUNTY (OSX)

TAKEOFF MINIMUMS AND (OBSTACLE) DEPARTURE PROCEDURES

ORIG 12MAY05 (05132) (FAA)

TAKEOFF OBSTACLE NOTES:

Rwy 14, trees 1054' from DER, 503' left of centerline, 100' AGL/559' MSL.

Trees 1172' from DER, 555' right of centerline, 100' AGL/559' MSL.

Terrain 18' from DER, 91' right of centerline, 473' MSL.

Terrain 68' from DER, 485' right of centerline, 473' MSL.

Rwy 32, trees 1676' from DER, 288' right of centerline, 100' AGL/619' MSL.

Trees 1341' from DER, 231' left of centerline, 100' AGL/609' MSL.

Terrain 129' from DER, 139' right of centerline, 502' MSL.

Terrain 182' from DER, 532' right of centerline, 493' MSL.

Terrain 352' from DER, 344' right of centerline, 496' MSL.

Terrain 79' from DER, 254' left of centerline, 486' MSL.

Terrain 525' from DER, 156' right of centerline, 496' MSL.

Terrain 302' from DER, 49' left of centerline, 489' MSL.

LAFAYETTE, LA

LAFAYETTE RGNL/PAUL FOURNET FLD (LFT)

TAKEOFF MINIMUMS AND (OBSTACLE) DEPARTURE PROCEDURES

AMDT 2A 23JUL15 (21112) (FAA)

TAKEOFF OBSTACLE NOTES:

Rwy 4L, trees beginning 257' from DER, 268' left of centerline, up to 100' AGL/139' MSL.

Fence 2506' from DER, 682' left of centerline, 121' AGL/163' MSL.

Pole 2978' from DER, 1061' left of centerline, 121' AGL/163' MSL.

Obstruction lights beginning 155' from DER, 251' right of centerline, up to 54' AGL/83' MSL.

Rwy 4R, vehicle on road 76' from DER, 498' left of centerline, 15' AGL/44' MSL.

Trees beginning 815' from DER, 110' left of centerline, up to 75' AGL/94' MSL.

Light on pole 912' from DER, 738' left of centerline, 32' AGL/71' MSL.

Vehicle on road 25' from DER, 272' right of centerline, 15' AGL/44' MSL.

Trees beginning 31' from DER, 268' right of centerline, up to 100' AGL/103' MSL.

Rwy 11, vehicle on road 37' from DER, 302' left of centerline, 15' AGL/48' MSL.

Trees beginning 553' from DER, 128' left of centerline, up to 87' AGL/91' MSL.

Vehicle on road 20' from DER, 34' right of centerline, 15' AGL/49' MSL.

Trees beginning 522' from DER, 27' right of centerline, up to 83' AGL/87' MSL.

Rwy 22L, poles beginning 1282' from DER, 62' left of centerline, up to 52' AGL/91' MSL.

Trees beginning 1454' from DER, 97' left of centerline, up to 100' AGL/106' MSL.

Terrain and trees beginning 95' from DER, 22' right of centerline, up to 100' AGL/129' MSL.

Railroad 875' from DER, 629' right of centerline, 23' AGL/63' MSL.

poles beginning 899' from DER, 248' right of centerline, up to 50' AGL/89' MSL.

Rwy 22R, tower 2544' from DER, 25' left of centerline, 104' AGL/142' MSL.

Trees, buildings, obstruction lights and antenna beginning 152' from DER, 268' right of centerline, up to 104' AGL/142' MSL.

Rwy 29, trees, towers, poles beginning 925' from DER, 5' left of centerline, up to 110' AGL/150' MSL.

Vehicle on road 12' from DER, 403' right of centerline, 15' AGL/48' MSL.

Trees, towers and poles beginning 63' from DER, 68' right of centerline, up to 130' AGL/165' MSL.

22 FEB 2024 to 21 MAR 2024

22 FEB 2024 to 21 MAR 2024

TAKEOFF MINIMUMS, (OBSTACLE) DEPARTURE PROCEDURES, AND DIVERSE VECTOR AREA (RADAR VECTORS)

24025

SC-4

TAKEOFF MINIMUMS, (OBSTACLE) DEPARTURE PROCEDURES, AND DIVERSE VECTOR AREA (RADAR VECTORS)

24025

LAKE CHARLES, LA

CHENNAULT INTL (CWF)

TAKEOFF MINIMUMS AND (OBSTACLE) DEPARTURE PROCEDURES

ORIG 03JUN10 (10154) (FAA)

TAKEOFF MINIMUMS:

Rwy 33, 300-1¼ or std. w/min. climb of 205' per NM to 300. Alternatively, with std. takeoff minimums and a normal 200'/NM climb gradient, takeoff must occur no later than 1200' prior to DER.

TAKEOFF OBSTACLE NOTES:

Rwy 15, trees beginning 1114' from DER, 670' left of centerline, up to 51' AGL/70' MSL.

Trees beginning 1261' from DER, 380' right of centerline, up to 62' AGL/81' MSL.

Rwy 33, tanks 5977' from DER, 1577' right of centerline, 156' AGL/170' MSL.

Trees beginning 1763' from DER, 685' left of centerline, up to 71' AGL/85' MSL.

Trees beginning 1202' from DER, 399' right of centerline, up to 52' AGL/71' MSL.

LAKE CHARLES RGNL (LCH)

TAKEOFF MINIMUMS AND (OBSTACLE) DEPARTURE PROCEDURES

ORIG 05MAY11 (11125) (FAA)

TAKEOFF OBSTACLE NOTES:

Rwy 5, antenna 38' from DER, 396' right of centerline, 8' AGL/23' MSL.

Vehicle on road 457' from DER, 605' left of centerline, up to 15' AGL/34' MSL.

Wire on pole 647' from DER, 530' left of centerline, 30' AGL/50' MSL.

Transmission pole 707' from DER, 602' right of centerline, 42' AGL/57' MSL.

Vehicle on road 710' from DER, 428' left of centerline, 15' AGL/33' MSL.

Transmission pole 767' from DER, 531' left of centerline, 31' AGL/46' MSL.

Transmission pole 825' from DER, 454' right of centerline, 32' AGL/47' MSL.

Pole 862' from DER, 485' right of centerline, 18' AGL/38' MSL.

Wire on pole 863' from DER, 485' right of centerline, 34' AGL/49' MSL.

Rwy 23, multiple trees beginning 19' from DER, left and right of centerline, up to 73' AGL/87' MSL.

Pole 1112' from DER, 130' left of centerline, 14' AGL/50' MSL.

Poles beginning 631' from DER, 283' right of centerline, up to 22' AGL/44' MSL.

Rwy 33, tree 1225' from DER, 622' left of centerline, 34' AGL/44' MSL.

LAUREL, MS

HESLER-NOBLE FLD (LUL)

TAKEOFF MINIMUMS AND (OBSTACLE) DEPARTURE PROCEDURES

AMDT 1 24JUN82 (22195) (FAA)

DEPARTURE PROCEDURE:

Rwy 13, climb runway heading to 500 before turning.

LEESVILLE, LA

LEESVILLE (L39)

TAKEOFF MINIMUMS AND (OBSTACLE) DEPARTURE PROCEDURES

ORIG 20OCT11 (11293) (FAA)

TAKEOFF OBSTACLE NOTES:

Rwy 18, tree 26' from DER, 78' left of centerline, 100' AGL/359' MSL.

Trees beginning 12' from DER, 210' right of centerline, up to 100' AGL/389' MSL.

Rwy 36, trees beginning 262' from DER, 396' left of centerline, 47' AGL/336' MSL.

Trees beginning 180' from DER, 130' right of centerline, up to 58' AGL/347' MSL.

LEXINGTON, MS

C. A. MOORE (19M)

TAKEOFF MINIMUMS AND (OBSTACLE) DEPARTURE PROCEDURES

ORIG 09JUN83 (83160) (FAA)

DEPARTURE PROCEDURE:

Rwy 19, climb runway heading to 1000 before turning.

22 FEB 2024 to 21 MAR 2024

22 FEB 2024 to 21 MAR 2024

TAKEOFF MINIMUMS, (OBSTACLE) DEPARTURE PROCEDURES, AND DIVERSE VECTOR AREA (RADAR VECTORS)

24025

SC-4

TAKEOFF MINIMUMS, (OBSTACLE) DEPARTURE PROCEDURES, AND DIVERSE VECTOR AREA (RADAR VECTORS)

24025

LOUISVILLE, MS

LOUISVILLE/WINSTON COUNTY (LMS)

TAKEOFF MINIMUMS AND (OBSTACLE) DEPARTURE PROCEDURES

AMDT 3 29DEC22 (22363) (FAA)

TAKEOFF MINIMUMS:

Rwy 17, std. w/min. climb of 295' per NM to 1100, or 1000-3 for VCOA.

VCOA:

Rwy 17, obtain ATC approval for VCOA when requesting IFR clearance. Climb in visual conditions to cross Louisville/Winston county airport at or above 1300 before proceeding on course.

TAKEOFF OBSTACLE NOTES:

Rwy 17, trees, poles beginning 13' from DER, 5' left of centerline, up to 104' AGL/655' MSL.

Trees, buildings beginning 108' from DER, on and right of centerline, up to 607' MSL.

Trees beginning 1235' from DER, 376' right of centerline, up to 623' MSL.

Tree 1389' from DER, 728' right of centerline, 636' MSL.

Trees beginning 1445' from DER, 306' right of centerline, up to 644' MSL.

Trees beginning 1733' from DER, 290' right of centerline, up to 656' MSL.

Trees beginning 1894' from DER, 88' right of centerline, up to 658' MSL.

Trees beginning 2092' from DER, 69' left of centerline, up to 658' MSL.

Trees beginning 2165' from DER, 4' right of centerline, up to 664' MSL.

Trees beginning 2228' from DER, 50' left of centerline, up to 661' MSL.

Trees beginning 2400' from DER, 6' left of centerline, up to 672' MSL.

Tree 3966' from DER, 792' right of centerline, 106' AGL/676' MSL.

Tank, tower beginning 4774' from DER, 1578' left of centerline, up to 154' AGL/701' MSL.

Tower 1.7 NM from DER, 2221' left of centerline, 407' AGL/951' MSL.

Rwy 35, trees beginning 16' from DER, 383' left of centerline, up to 87' AGL/604' MSL.

Trees beginning 42' from DER, 352' right of centerline, up to 582' MSL.

Tree 300' from DER, 413' right of centerline, 603' MSL.

Trees beginning 427' from DER, 383' left of centerline, up to 613' MSL.

Trees beginning 427' from DER, 387' right of centerline, up to 626' MSL.

Trees beginning 603' from DER, 360' left of centerline, up to 618' MSL.

Trees beginning 896' from DER, 378' left of centerline, up to 619' MSL.

Trees beginning 1070' from DER, 477' left of centerline, up to 621' MSL.

Trees beginning 1191' from DER, 413' left of centerline, up to 630' MSL.

Trees beginning 1475' from DER, 648' left of centerline, up to 645' MSL.

Trees beginning 1685' from DER, on and left of centerline, up to 652' MSL.

Trees beginning 2026' from DER, 693' right of centerline, up to 629' MSL.

Trees beginning 2214' from DER, 457' right of centerline, up to 634' MSL.

Trees beginning 2292' from DER, 7' right of centerline, up to 636' MSL.

Trees beginning 2305' from DER, 4' left of centerline, up to 111' AGL/659' MSL.

MADISON, MS

BRUCE CAMPBELL FLD (MBO)

TAKEOFF MINIMUMS AND (OBSTACLE) DEPARTURE PROCEDURES

AMDT 1 08APR10 (22195) (FAA)

TAKEOFF MINIMUMS:

Rwy 35, 300-2 or std. w/min. climb of 267' per NM to 700, or alternatively, with std. takeoff minimums and a normal 200' per NM climb gradient, takeoff must occur no later than 1400' prior to DER.

TAKEOFF OBSTACLE NOTES:

Rwy 17, trees 524' from DER, 464' right of centerline, 100' AGL/399' MSL.**Rwy 35**, house 1324' from DER, 619' left of centerline, 20' AGL/349' MSL.

Vehicle on road 2178' from DER, 389' left of centerline, up to 17' AGL/350' MSL.

MAGEE, MS

MAGEE MUNI (17M)

TAKEOFF MINIMUMS AND (OBSTACLE) DEPARTURE PROCEDURES

ORIG 29MAY14 (14149) (FAA)

TAKEOFF OBSTACLE NOTES:

Rwy 18, trees beginning abeam DER, 201' left of centerline, up to 100' AGL/649' MSL.

Trees beginning abeam DER, 205' right of centerline, up to 100' AGL/649' MSL.

Trees 562' from DER, 577' right of centerline, up to 100' AGL/659' MSL.

Trees beginning 1217' from DER, left and right of centerline, up to 100' AGL/659' MSL.

Rwy 36, trees beginning abeam DER, 165' right of centerline, up to 100' AGL/659' MSL.

Vehicle on road 411' from DER, 423' left of centerline, up to 15' AGL/565' MSL.

Trees 621' from DER, 343' left of centerline, up to 100' AGL/659' MSL.

Trees 1160' from DER, 447' right of centerline, up to 100' AGL/659' MSL.

TAKEOFF MINIMUMS, (OBSTACLE) DEPARTURE PROCEDURES, AND DIVERSE VECTOR AREA (RADAR VECTORS)

24025

TAKEOFF MINIMUMS, (OBSTACLE) DEPARTURE PROCEDURES, AND DIVERSE VECTOR AREA (RADAR VECTORS)

24025

MAKS AAF (KPOE)

FORT JOHNSON, LA

TAKEOFF MINIMUMS AND (OBSTACLE) DEPARTURE PROCEDURES

AMDT 1 07SEP23 (23362) (USA)

TAKEOFF MINIMUMS:

Rwy 16, 300-1 or std w/min climb of 270°/NM to 700.

TAKEOFF OBSTACLE NOTES:

Rwy 16, trees beginning 2284' from DER, 1004' left of centerline, up to 364' MSL.

Trees beginning 3223' from DER, 1193' right of centerline, up to 365' MSL.

Tree 4597' from DER, 137' left of centerline, 429' MSL.

Tree 3905' from DER, 706' right of centerline, 401' MSL.

Tree 3384' from DER, 1100' right of centerline, 392' MSL.

Tree 3962' from DER, 882' left of centerline, 387' MSL.

Pole 4151' from DER, 203' left of centerline, 382' MSL.

Tree 3524' from DER, 963' left of centerline, 379' MSL.

Tree 3304' from DER, 1079' right of centerline, 375' MSL.

Tree 1739' from DER, 874' right of centerline, 369' MSL.

Twr 2213' from DER, 535' left of centerline, 43' AGL/335' MSL.

Windsock 100' from DER, 460' right of centerline, 300' MSL.

Terrain 50' from DER, 480' right of centerline, 282' MSL.

Tree 4657' from DER, 404' right of centerline, 435' MSL.

Rwy 34, trees beginning 2305' from DER, 470' left of centerline, up to 80' AGL/402' MSL.

Trees beginning 2866' from DER, 1193' right of centerline, up to 449' MSL.

Tree 1874' from DER, 885' right of centerline, 416' MSL.

Tree 2831' from DER, 154' right of centerline 411' MSL.

Tree 2076' from DER, 980' left of centerline, 410' MSL.

Tree 1424' from DER, 753' right of centerline, 393' MSL.

Tree 1771' from DER, 35' left of centerline, 377' MSL.

Tree 433' from DER, 513' right of centerline, 365' MSL.

Terrain 415' from DER, 611' left of centerline, 345' MSL.

Terrain at DER, 500' left of centerline, 333' MSL.

MANSFIELD, LA

C E 'RUSTY' WILLIAMS (3F3)

TAKEOFF MINIMUMS AND (OBSTACLE) DEPARTURE PROCEDURES

ORIG 13JAN11 (11013) (FAA)

TAKEOFF OBSTACLE NOTES:

Rwy 18, trees beginning 1182' from DER, left and right of centerline, up to 100' AGL/459' MSL.**Rwy 36**, trees beginning 116' from DER, left and right of centerline, up to 100' AGL/439' MSL.

MANY, LA

HART (3R4)

TAKEOFF MINIMUMS AND (OBSTACLE) DEPARTURE PROCEDURES

ORIG-A 03JUL08 (08185) (FAA)

TAKEOFF MINIMUMS:

Rwy 12, 600-3 or std. with a min. climb of 250' per NM to 900.

DEPARTURE PROCEDURE:

Rwy 12, climb heading 117° to 1100 before proceeding on course.

TAKEOFF OBSTACLE NOTES:

Rwy 12, trees beginning 1' from DER, 594' left to 598' right of centerline, up to 100' AGL/385' MSL.

Power line/poles beginning 1198' from DER, 309' right of centerline, up to 58' AGL/354' MSL.

Rwy 30, trees beginning 74' from DER, 781' left to 509' right of centerline, up to 100' AGL/391' MSL.

Power line/pole 484' from DER, 318' right of centerline, 62' AGL/358' MSL.

MARKS, MS

SELFS (MMS)

TAKEOFF MINIMUMS AND (OBSTACLE) DEPARTURE PROCEDURES

AMDT 1 20SEP12 (12264) (FAA)

TAKEOFF OBSTACLE NOTES:

Rwy 2, vehicles on road beginning 3' from DER, 210' left of centerline, up to 15' AGL/161' MSL.

Vehicles on road, building, and poles beginning 51' from DER, 4' right of centerline, up to 38' AGL/195' MSL.

Trees beginning 1171' from DER, 32' left of centerline, up to 110' AGL/265' MSL.

Trees beginning 1071' from DER, 4' right of centerline, up to 110' AGL/265' MSL.

Rwy 20, trees beginning 44' from DER, 389' right of centerline, up to 85' AGL/238' MSL.

Trees 3684' from DER, 550' right of centerline, up to 106' AGL/263' MSL.

TAKEOFF MINIMUMS, (OBSTACLE) DEPARTURE PROCEDURES, AND DIVERSE VECTOR AREA (RADAR VECTORS)

24025

SC-4

TAKEOFF MINIMUMS, (OBSTACLE) DEPARTURE PROCEDURES, AND DIVERSE VECTOR AREA (RADAR VECTORS)

24025

MARKSVILLE, LA

MARKSVILLE MUNI (MKV)

TAKEOFF MINIMUMS AND (OBSTACLE) DEPARTURE PROCEDURES

ORIG 20OCT11 (11293) (FAA)

TAKEOFF OBSTACLE NOTES:

- Rwy 4**, light pole 61' from DER, 459' right of centerline, 5' AGL/84' MSL.
- Power pole 287' from DER, 315' right of centerline, 35' AGL/111' MSL.
- Water tower 3870' from DER, 1134' left of centerline, 148' AGL/217' MSL.
- Tree 1504' from DER, 374' left of centerline, 88' AGL/164' MSL.
- Trees beginning 465' from DER, 148' right of centerline, up to 110' AGL/183' MSL.
- Rwy 22**, trees beginning 248' from DER, 373' left of centerline, up to 100' AGL/173' MSL.
- Trees beginning 2571' from DER, 1008' right of centerline, up to 100' AGL/166' MSL.

MC COMB, MS

MC COMB/PIKE COUNTY/JOHN E LEWIS FLD (MCB)

TAKEOFF MINIMUMS AND (OBSTACLE) DEPARTURE PROCEDURES

AMDT 1 24MAY18 (22195) (FAA)

TAKEOFF OBSTACLE NOTES:

- Rwy 16**, tree 516' from DER, 603' left of centerline, 405' MSL.
- Tree 610' from DER, 653' right of centerline, 430' MSL.
- Tree 653' from DER, 590' left of centerline, 441' MSL.
- Trees beginning 819' from DER, 519' right of centerline, up to 438' MSL.
- Tree 1180' from DER, 770' left of centerline, 462' MSL.
- Trees beginning 1265' from DER, 561' left of centerline, up to 467' MSL.
- Trees beginning 1496' from DER, 394' right of centerline, up to 458' MSL.
- Trees beginning 1575' from DER, 392' left of centerline, up to 470' MSL.
- Tree 2734' from DER, 565' right of centerline, 459' MSL.
- Tree 2838' from DER, 421' right of centerline, 460' MSL.
- Tree 2883' from DER, 921' right of centerline, 465' MSL.
- Trees beginning 2940' from DER, 500' right of centerline, up to 467' MSL.
- Trees beginning 3291' from DER, 443' left of centerline, up to 475' MSL.
- Rwy 34**, tree 69' from DER, 271' left of centerline, 444' MSL.
- Trees beginning 164' from DER, 307' left of centerline, up to 454' MSL.
- Trees beginning 193' from DER, 493' left of centerline, up to 459' MSL.
- Trees beginning 667' from DER, 568' left of centerline, up to 471' MSL.
- Tree 717' from DER, 593' right of centerline, 455' MSL.
- Tree 889' from DER, 630' right of centerline, 465' MSL.
- Tree, pole beginning 957' from DER, 693' left of centerline, up to 493' MSL.
- Tree 1128' from DER, 684' right of centerline, 470' MSL.
- Trees beginning 1258' from DER, 657' right of centerline, up to 478' MSL.
- Trees beginning 1821' from DER, 643' right of centerline, up to 487' MSL.
- Trees beginning 2745' from DER, 690' right of centerline, up to 491' MSL.
- Tree 3017' from DER, 753' right of centerline, 501' MSL.
- Trees beginning 3021' from DER, 929' right of centerline, up to 507' MSL.

MERIDIAN, MS

KEY FLD (MEI)

TAKEOFF MINIMUMS AND (OBSTACLE) DEPARTURE PROCEDURES

AMDT 6 07JAN16 (21112) (FAA)

TAKEOFF MINIMUMS:

- Rwy 22**, 300-1½ or std. w/min. climb of 280' per NM to 700.

DEPARTURE PROCEDURE:

- Rwy 4**, climb heading 046° to 1000 before turning right.

TAKEOFF OBSTACLE NOTES:

- Rwy 1**, tree 323' from DER, 440' right of centerline, 28' AGL/308' MSL.
- Vehicles on road 1196' from DER, 421' left of centerline, 17' AGL/341' MSL.
- Trees beginning 1435' from DER, 413' left of centerline, up to 90' AGL/389' MSL.
- Trees, tank, and tower beginning 2201' from DER, left and right of centerline, up to 80' AGL/399' MSL.
- Trees beginning 3688' from DER, 334' left of centerline, up to 104' AGL/403' MSL.
- Rwy 4**, poles and trees beginning 70' from DER, 278' right of centerline, up to 39' AGL/335' MSL.
- Poles, trees, and building beginning 988' from DER, 256' right of centerline, up to 51' AGL/350' MSL.
- Tree 1817' from DER, 940' right of centerline, 59' AGL/358' MSL.
- Fence 34' from DER, 276' left of centerline, 8' AGL/305' MSL.
- Pole, light on pole, tank and railing on tank beginning 863' from DER, up to 32' AGL/330' MSL.
- Trees beginning 2493' from DER, 65' left of centerline, up to 80' AGL/379' MSL.
- Rwy 19**, lower and antenna 481' from DER, 570' left of centerline, 32' AGL/312' MSL.
- Tree 1893' from DER, 934' right of centerline, 101' AGL/380' MSL.
- Tree 2660' from DER, 1162' left of centerline, 116' AGL/395' MSL.

CON'T

22 FEB 2024 to 21 MAR 2024

22 FEB 2024 to 21 MAR 2024

TAKEOFF MINIMUMS, (OBSTACLE) DEPARTURE PROCEDURES, AND DIVERSE VECTOR AREA (RADAR VECTORS)

24025

SC-4

TAKEOFF MINIMUMS, (OBSTACLE) DEPARTURE PROCEDURES, AND DIVERSE VECTOR AREA (RADAR VECTORS)

24025

MERIDIAN, MS (CON'T)

KEY FLD (MEI) (CON'T)

Rwy 22, trees beginning 1328' from DER, 540' right of centerline, up to 99' AGL/378' MSL.
Trees beginning 1621' from DER, left and right of centerline, up to 108' AGL/387' MSL.
Trees beginning 4365' from DER, 317' right of centerline, up to 62' AGL/441' MSL.
Trees beginning 4519' from DER, left and right of centerline, up to 48' AGL/447' MSL.
Trees beginning 5568 from DER, 1354 right of centerline, up to 55' AGL/454' MSL.
Trees beginning 5650' from DER, 1273' right of centerline, up to 79' AGL/478' MSL.
Trees beginning 5702' from DER, left and right of centerline, up to 69' AGL/488' MSL.
Trees beginning 1.1 NM from DER, 1236' right of centerline, up to 60' AGL/499' MSL.
Trees beginning 1.2 NM from DER, 1490' right of centerline, up to 66' AGL/505' MSL.
Trees beginning 1.2 NM from DER, 712' right of centerline, up to 77' AGL/536' MSL.

MERIDIAN NAS (MC CAIN FIELD) (KNMM)

MERIDIAN, MS

TAKEOFF MINIMUMS AND (OBSTACLE) DEPARTURE PROCEDURES

AMDT 2 08SEP22 (22251) (USN)

TAKEOFF MINIMUMS:

Rwy 1R, std. w/min. climb of 251' per NM to 800.

TAKEOFF OBSTACLE NOTES:

Rwy 1R, terrain 0' from DER, 500' right of centerline, 329' MSL.
Terrain 554' from DER, 648' left of centerline, 343' MSL.
Terrain 556' from DER, 649' left of centerline, 343' MSL.
Terrain 614' from DER, 617' left of centerline, 344' MSL.
Terrain 617' from DER, 665' left of centerline, 345' MSL.
Terrain 620' from DER, 666' left of centerline, 345' MSL.
Terrain 2709' from DER, 1137' left of centerline, 0' AGL/399' MSL.
Terrain 3148' from DER, 953' left of centerline, 0' AGL/399' MSL.
Terrain, tree 1.1 NM from DER, 2315' left of centerline, 0' AGL/499' MSL.
Rwy 10, terrain 0' from DER, 500' right of centerline, 306' MSL.
Rwy 19R, terrain 0' from DER, 500' right of centerline, 257' MSL.

MINDEN, LA

MINDEN (MNE)

TAKEOFF MINIMUMS AND (OBSTACLE) DEPARTURE PROCEDURES

ORIG 18NOV10 (10322) (FAA)

TAKEOFF OBSTACLE NOTES:

Rwy 1, trees beginning 2' from DER, 134' left of centerline, up to 116' AGL/383' MSL.
Trees beginning 791' from DER, 68' right of centerline, up to 104' AGL/383' MSL.
Rwy 19, trees beginning 232' from DER, 46' left of centerline, up to 103' AGL/352' MSL.
Trees beginning 192' from DER, 12' right of centerline, up to 116' AGL/365' MSL.
Poles beginning 1234' from DER, 226' right of centerline, up to 69' AGL/318' MSL.

MONROE, LA

MONROE RGNL (MLU)

TAKEOFF MINIMUMS AND (OBSTACLE) DEPARTURE PROCEDURES

AMDT 6A 02DEC21 (21336) (FAA)

DEPARTURE PROCEDURE:

Rwy 22, climb on heading 222° to 900 before turning west.

Rwy 32, climb on heading 317° to 900 before turning west.

TAKEOFF OBSTACLE NOTES:

Rwy 4, lighting 6' from DER, 5' right of centerline, 2' AGL/76' MSL.
Sign 29' from DER, 248' left of centerline, 3' AGL/77' MSL.
Tree 1010' from DER, 711' left of centerline, 104' MSL.
Trees beginning 1568' from DER, 768' right of centerline, up to 154' MSL.
Trees beginning 2287' from DER, 911' right of centerline, up to 160' MSL.
Trees beginning 2421' from DER, 804' right of centerline, up to 162' MSL.
Tree 3361' from DER, 1144' left of centerline, 166' MSL.
Trees beginning 3488' from DER, 1047' left of centerline, up to 183' MSL.
Rwy 14, tree 905' from DER, 722' left of centerline, 117' MSL.
Trees beginning 950' from DER, 509' left of centerline, up to 120' MSL.
Trees beginning 1007' from DER, 59' left of centerline, up to 128' MSL.
Trees beginning 1188' from DER, 79' right of centerline, up to 107' MSL.
Trees beginning 1215' from DER, 150' right of centerline, up to 110' MSL.
Tree 1264' from DER, 281' right of centerline, 114' MSL.
Trees, poles beginning 1284' from DER, 227' right of centerline, up to 138' MSL.
Trees beginning 1682' from DER, 737' left of centerline, up to 139' MSL.
Trees beginning 2214' from DER, 962' left of centerline, up to 154' MSL.
Trees, towers, antenna beginning 2771' from DER, 539' left of centerline, up to 184' MSL.

CON'T

22 FEB 2024 to 21 MAR 2024

22 FEB 2024 to 21 MAR 2024

TAKEOFF MINIMUMS, (OBSTACLE) DEPARTURE PROCEDURES, AND DIVERSE VECTOR AREA (RADAR VECTORS)

24025

SC-4


TAKEOFF MINIMUMS, (OBSTACLE) DEPARTURE PROCEDURES, AND


DIVERSE VECTOR AREA (RADAR VECTORS)

24025

MONROE, LA (CON'T)**MONROE RGNL (MLU) (CON'T)****Rwy 22**, lighting 5' from DER, 5' left of centerline, 1' AGL/77' MSL.

Sign 31' from DER, 342' right of centerline, 3' AGL/77' MSL.

Sign 102' from DER, 459' right of centerline, 10' AGL/83' MSL.

Tree 1273' from DER, 809' left of centerline, 114' MSL.

Tree 1990' from DER, 718' left of centerline, 131' MSL.

Tree 2160' from DER, 742' left of centerline, 134' MSL.

Trees beginning 2273' from DER, 212' left of centerline, up to 137' MSL.

Tree 2418' from DER, 180' left of centerline, 139' MSL.

Trees beginning 2429' from DER, 245' left of centerline, up to 140' MSL.

Tree 2594' from DER, 508' left of centerline, 145' MSL.

Tree 2616' from DER, 1052' right of centerline, 170' MSL.

Rwy 32, terrain 7' from DER, 63' right of centerline, 79' MSL.

Lighting 27' from DER, 120' right of centerline, 3' AGL/82' MSL.

Sign 28' from DER, 439' left of centerline, 3' AGL/81' MSL.

Lighting, sign beginning 30' from DER, 119' left of centerline, up to 3' AGL/82' MSL.

Pole 385' from DER, 489' left of centerline, 20' AGL/97' MSL.

Tree 934' from DER, 659' left of centerline, 109' MSL.

Trees beginning 1010' from DER, 514' left of centerline, up to 114' MSL.

Tree 1073' from DER, 735' left of centerline, 116' MSL.

Tree 1328' from DER, 773' left of centerline, 119' MSL.

Tree 1581' from DER, 448' left of centerline, 133' MSL.

Pole, trees beginning 1582' from DER, 261' left of centerline, up to 69' AGL/145' MSL.

Trees beginning 1607' from DER, 322' right of centerline, up to 138' MSL.

Tree 1630' from DER, 643' right of centerline, 140' MSL.

Trees beginning 1681' from DER, 100' left of centerline, up to 153' MSL.

Trees beginning 1708' from DER, 295' right of centerline, up to 158' MSL.

Trees, poles beginning 1713' from DER, 126' left of centerline, up to 158' MSL.

Trees beginning 1877' from DER, 156' right of centerline, up to 166' MSL.

Tree 2031' from DER, 283' right of centerline, 171' MSL.

Trees, pole beginning 2042' from DER, 34' right of centerline, up to 176' MSL.

Trees, pole beginning 2098' from DER, 12' left of centerline, up to 169' MSL.

Trees beginning 2347' from DER, 10' left of centerline, up to 179' MSL.

Trees beginning 3970' from DER, 678' right of centerline, up to 182' MSL.

NATCHEZ, MS**HARDY-ANDERS FLD/NATCHEZ-ADAMS COUNTY (HEZ)****TAKEOFF MINIMUMS AND (OBSTACLE) DEPARTURE PROCEDURES****ORIG-A 20APR23 (23110) (FAA)****TAKEOFF OBSTACLE NOTES:****Rwy 14**, trees beginning 16' from DER, 309' right of centerline, up to 326' MSL.

Trees beginning 239' from DER, 250' right of centerline, up to 343' MSL.

Trees beginning 1180' from DER, 526' left of centerline, up to 364' MSL.

Trees beginning 1445' from DER, 86' left of centerline, up to 380' MSL.

Trees beginning 2332' from DER, 123' right of centerline, up to 344' MSL.

Tree 3624' from DER, 1390' right of centerline, 363' MSL.

Rwy 18, tree 30' from DER, 467' left of centerline, 54' AGL/306' MSL.

Trees beginning 112' from DER, 364' left of centerline, up to 323' MSL.

Trees beginning 131' from DER, 445' right of centerline, up to 285' MSL.

Trees beginning 164' from DER, 427' right of centerline, up to 337' MSL.

Trees beginning 663' from DER, on centerline, up to 338' MSL.

Trees beginning 969' from DER, 50' left of centerline, up to 332' MSL.

Trees beginning 1149' from DER, on centerline, up to 346' MSL.

Trees beginning 2175' from DER, 168' right of centerline, up to 339' MSL.

Trees beginning 2258' from DER, 149' right of centerline, up to 350' MSL.

Tree 2523' from DER, 1044' right of centerline, 365' MSL.

Trees beginning 2543' from DER, 19' right of centerline, up to 374' MSL.

Trees beginning 3100' from DER, 10' right of centerline, up to 385' MSL.

Trees beginning 3134' from DER, 20' left of centerline, up to 347' MSL.

Trees beginning 3400' from DER, 835' left of centerline, up to 350' MSL.

Tree 3442' from DER, 1044' left of centerline, 355' MSL.

Trees beginning 3487' from DER, 727' left of centerline, up to 356' MSL.

Trees beginning 3569' from DER, 59' left of centerline, up to 359' MSL.

Trees beginning 3669' from DER, 761' left of centerline, up to 360' MSL.

Trees beginning 3823' from DER, 482' left of centerline, up to 365' MSL.

Trees beginning 3908' from DER, 161' left of centerline, up to 374' MSL.

Tree 4008' from DER, 218' left of centerline, 384' MSL.

Trees beginning 4047' from DER, 220' left of centerline, up to 386' MSL.

Trees beginning 4107' from DER, 14' left of centerline, up to 388' MSL.

Rwy 32, light poles 2' from DER, 4' right of centerline, 2' AGL/263' MSL.

Tree 428' from DER, 542' left of centerline, 301' MSL.

Tree 656' from DER, 615' right of centerline, 338' MSL.

Tree 701' from DER, 648' left of centerline, 325' MSL.

CON'T

TAKEOFF MINIMUMS, (OBSTACLE) DEPARTURE PROCEDURES, AND


DIVERSE VECTOR AREA (RADAR VECTORS)

24025

TAKEOFF MINIMUMS, (OBSTACLE) DEPARTURE PROCEDURES, AND DIVERSE VECTOR AREA (RADAR VECTORS)

24025

NATCHEZ, MS (CON'T)

HARDY-ANDERS FLD/NATCHEZ-ADAMS COUNTY (HEZ) (CON'T)

Rwy 32 (CON'T), trees beginning 764' from DER, 524' right of centerline, up to 342' MSL.

Tree 901' from DER, 695' left of centerline, 336' MSL.

Trees beginning 1187' from DER, 736' left of centerline, up to 346' MSL.

Trees beginning 1482' from DER, 504' right of centerline, up to 349' MSL.

Tree, pole beginning 1531' from DER, 789' left of centerline, up to 351' MSL.

Trees beginning 1625' from DER, 204' right of centerline, up to 352' MSL.

Trees beginning 1867' from DER, 50' left of centerline, up to 360' MSL.

Trees beginning 3197' from DER, 314' right of centerline, up to 355' MSL.

Trees beginning 3268' from DER, 694' left of centerline, up to 364' MSL.

Trees beginning 3332' from DER, 85' left of centerline, up to 366' MSL.

Trees beginning 3835' from DER, 1223' left of centerline, up to 374' MSL.

Rwy 36, fence beginning 36' from DER, 409' right of centerline, up to 274' MSL.

Fence 235' from DER, 394' right of centerline, 276' MSL.

Tree 422' from DER, 603' right of centerline, 337' MSL.

Trees beginning 473' from DER, 464' right of centerline, up to 338' MSL.

Trees beginning 692' from DER, 1' left of centerline, up to 347' MSL.

Trees beginning 783' from DER, 140' right of centerline, up to 342' MSL.

Trees beginning 1236' from DER, 256' right of centerline, up to 348' MSL.

Trees beginning 1376' from DER, 128' right of centerline, up to 357' MSL.

NATCHITOCHE, LA

NATCHITOCHE RGNL (IER)

TAKEOFF MINIMUMS AND (OBSTACLE) DEPARTURE PROCEDURES

AMDT 7 24JUL14 (14205) (FAA)

TAKEOFF MINIMUMS:

Rwy 25, 300-1½ or std. w/min. climb of 336' per NM to 600.

Rwy 35, std. w/min. climb of 202' per NM to 800, or alternatively, with std. takeoff minimums and normal 200' per NM climb gradient, takeoff must occur no later than 1300' prior to DER.

DEPARTURE PROCEDURE:

Rwy 35, climb heading 342° to 700 before turning.

TAKEOFF OBSTACLE NOTES:

Rwy 17, building, poles, beginning 90' from DER, 359' right of centerline, up to 32' AGL/142' MSL.

Tree 2573' from DER, 1022' right of centerline, 94' AGL/204' MSL.

Rwy 25, tower 1.3 NM from DER, 632' right of centerline, 205' AGL/385' MSL.

Rwy 35, light pole 1975' from DER, 418' right of centerline, 66' AGL/180' MSL.

Trees beginning 1007' from DER, 311' right of centerline, up to 72' AGL/188' MSL.

NEW ALBANY, MS

NEW ALBANY/UNION COUNTY (M72)

TAKEOFF MINIMUMS AND (OBSTACLE) DEPARTURE PROCEDURES

ORIG 25OCT07 (22027) (FAA)

TAKEOFF MINIMUMS:

Rwy 18, std. w/min. climb of 245' per NM to 900, or 500-2½ w/ min. climb of 207' per NM to 1000, or alternatively, with std. takeoff minimums and a normal 200'/NM climb gradient, takeoff must occur no later than 1500' prior to DER, or 800-2½ for climb in visual conditions.

DEPARTURE PROCEDURE:

Rwy 18, for climb in visual conditions: cross New Albany/Union County airport at or above 1100 before proceeding on course.

TAKEOFF OBSTACLE NOTES:

Rwy 18, multiple trees beginning 146' from DER, 158' left of centerline, up to 100' AGL/519' MSL.

Multiple trees beginning 387' from DER, 565' right of centerline, up to 100' AGL/499' MSL.

Rwy 36, multiple trees beginning 467' from DER, 524' left of centerline, up to 100' AGL/499' MSL.

Multiple trees beginning 2000' from DER, on centerline, up to 100' AGL/546' MSL.

NEW IBERIA, LA

ACADIANA RGNL (ARA)

TAKEOFF MINIMUMS AND (OBSTACLE) DEPARTURE PROCEDURES

AMDT 1 27APR17 (17117) (FAA)

TAKEOFF MINIMUMS:

Rwys 17W, 35W, NA - Environmental.

TAKEOFF OBSTACLE NOTES:

Rwy 17, tree 41' from DER, 497' right of centerline, 12' AGL/32' MSL.

TAKEOFF MINIMUMS, (OBSTACLE) DEPARTURE PROCEDURES, AND DIVERSE VECTOR AREA (RADAR VECTORS)

24025

SC-4

TAKEOFF MINIMUMS, (OBSTACLE) DEPARTURE PROCEDURES, AND DIVERSE VECTOR AREA (RADAR VECTORS)

24025

NEW ORLEANS, LA

LAKEFRONT (NEW)

TAKEOFF MINIMUMS AND (OBSTACLE) DEPARTURE PROCEDURES

AMDT 1A 27JAN22 (22027) (FAA)

TAKEOFF MINIMUMS:

Rwy 18R, 400-2% or std. w/min. climb of 220' per NM to 600, or alternatively, with std. takeoff minimums and a normal 200' per NM climb gradient, takeoff must occur no later than 2100' prior to departure end of runway.

DEPARTURE PROCEDURE:

Rwy 9, climb on heading 087° to 1400 before turning right.

Rwy 18L, climb on heading 177° to 1400 before turning left.

Rwy 18R, climb on heading 177° to 1400 before turning left.

TAKEOFF OBSTACLE NOTES:

Rwy 9, building 79' from DER, 419' right of centerline, 52' MSL.

Buildings, and vehicles on road beginning 287' from DER, 162' left of centerline, up to 48' MSL.

Poles beginning 804' from DER, 199' left of centerline, up to 43' AGL/51' MSL.

Trees beginning 1824' from DER, 232' right of centerline, up to 71' MSL.

Tree 2220' from DER, 167' right of centerline, 73' MSL.

Pole 2491' from DER, 254' left of centerline, 67' AGL/72' MSL.

Rwy 18L, NAVAIDs beginning 273' from DER, 340' left of centerline, up to 35' AGL/37' MSL.

Tower, and building beginning 334' from DER, 418' left of centerline, up to 40' AGL/42' MSL.

Buildings, tree, tower, and poles beginning 1451' from DER, 522' left of centerline, up to 93' AGL/98' MSL.

Building 2035' from DER, 35' right of centerline, 62' MSL.

Rwy 18R, building, and NAVAIDs beginning 51' from DER, 49' left of centerline, up to 22' AGL/26' MSL.

NAVAID 106' from DER, on centerline, 19' MSL.

Trees, vehicles on road, and poles beginning 150' from DER, 182' left of centerline, up to 45' MSL.

Vehicles on road 296' from DER, 1' right of centerline, 22' MSL.

Vehicles on road 474' from DER, on centerline, 35' MSL.

Pole, sign, and tree beginning 484' from DER, 114' right of centerline, up to 43' AGL/47' MSL.

Pole 709' from DER, 524' right of centerline, 47' AGL/48' MSL.

Poles beginning 747' from DER, 420' right of centerline, up to 51' AGL/51' MSL.

Elevators beginning 1512' from DER, 573' right of centerline, up to 80' AGL/85' MSL.

Building 1711' from DER, 839' right of centerline, 87' AGL/92' MSL.

Towers, and pole beginning 2817' from DER, 83' left of centerline, up to 101' AGL/101' MSL.

Poles, and transmission line beginning 3235' from DER, 64' right of centerline, up to 106' AGL/111' MSL.

Transmission line 2.3 NM from DER, 3385' left of centerline, 385' AGL/388' MSL.

Rwy 27, boats 300' from DER, left to right of centerline, up to 50' MSL.

Fence 278' from DER, 67' right of centerline, 15' AGL/15' MSL.

Fence 278' from DER, 64' left of centerline, 10' AGL/14' MSL.

Rwy 36L, bridge 51' from DER, 6' right of centerline, 7' AGL/10' MSL.

Rwy 36R, boats 350' from DER, left to right of centerline, up to 50' MSL.

Vegetation 16' from DER, 488' right of centerline, 11' MSL.

LOUIS ARMSTRONG NEW ORLEANS INTL (MSY)

TAKEOFF MINIMUMS AND (OBSTACLE) DEPARTURE PROCEDURES

AMDT 2 15OCT15 (15288) (FAA)

TAKEOFF OBSTACLE NOTES:

Rwy 2, multiple vehicles on roads beginning 3' from DER, 437' right of centerline, up to 26' AGL/28' MSL.

Multiple trees beginning 493' from DER, 542' right of centerline, up to 38' AGL/40' MSL.

Multiple poles beginning 831' from DER, 583' left of centerline, up to 34' AGL/36' MSL.

Multiple signs beginning 906' from DER, 235' right of centerline, up to 49' AGL/51' MSL.

Multiple buildings beginning 1369' from DER, 679' right of centerline, up to 48' AGL/50' MSL.

Multiple trees beginning 1555' from DER, 574' left of centerline, up to 45' AGL/47' MSL.

Antenna 1888' from DER, 692' right of centerline, 49' AGL/51' MSL.

Obstruction light 1822' from DER, 834' right of centerline, 64' AGL/66' MSL.

Crane 2412' from DER, 487' left of centerline, 81' AGL/83' MSL.

Rwy 11, obstruction light 623' from DER, 620' right of centerline, 21' AGL/25' MSL.

Pole 936' from DER, 663' right of centerline, 25' AGL/29' MSL.

Multiple trees beginning 1051' from DER, 37' left of centerline, up to 96' AGL/100' MSL.

Multiple trees beginning 1919' from DER, 157' right of centerline, up to 81' AGL/85' MSL.

Rwy 20, vehicle on road 201' from DER, 458' left of centerline, 29' AGL/30' MSL.

Sign 708' from DER, 688' left of centerline, 38' AGL/39' MSL.

Rod on building 664' from DER, 249' left of centerline, 23' AGL/24' MSL.

Pole 1124' from DER, 635' left of centerline, 31' AGL/32' MSL.

Multiple poles beginning 1358' from DER, 420' right of centerline, up to 46' AGL/47' MSL.

Tree 2057' from DER, 881' left of centerline, 67' AGL/68' MSL.

Multiple trees beginning 2604' from DER, 622' right of centerline, up to 85' AGL/86' MSL.

Ship 4166' from DER, on centerline, 152' AGL/153' MSL.

Rwy 29, tree 1265' from DER, 748' left of centerline, 58' AGL/59' MSL.

Multiple trees beginning 1541' from DER, 550' right of centerline, up to 65' AGL/66' MSL.

22 FEB 2024 to 21 MAR 2024

22 FEB 2024 to 21 MAR 2024

TAKEOFF MINIMUMS, (OBSTACLE) DEPARTURE PROCEDURES, AND DIVERSE VECTOR AREA (RADAR VECTORS)

24025

SC-4

TAKEOFF MINIMUMS, (OBSTACLE) DEPARTURE PROCEDURES, AND DIVERSE VECTOR AREA (RADAR VECTORS)

24025

NEW ORLEANS NAS JRB (ALVIN CALLENDER FLD) (KNBG)

NEW ORLEANS, LA

TAKEOFF MINIMUMS AND (OBSTACLE) DEPARTURE PROCEDURES

AMDT 3 10AUG23 (23222) (USN)

TAKEOFF MINIMUMS:

Rwy 14, std. w/min. climb of 282'/NM to 500' or 300-1/4.**Rwy 32**, std. w/min. climb of 292'/NM to 400'.

DEPARTURE PROCEDURE:

Rwy 4, diverse departures authorized 045° CW 224°. Right turn to departure heading only.**Rwy 22**, diverse departures authorized 045° CW 314°.**Rwy 32**, diverse departures authorized 141° CW 300° left turn to departure heading only.

TAKEOFF OBSTACLE NOTES:

Rwy 4, terrain 0' from DER, 500' left of centerline, 3' MSL.**Rwy 14**, terrain 0' from DER, 500' left of centerline, 3' MSL.

Barge crane 4945' from DER, 186' left of centerline, 173' MSL.

Tank 3450' from DER, 1424' left of centerline, 92' MSL.

Cruise ship 1 NM from DER, 57' right of centerline, 213' MSL.

Rwy 22, terrain 0' from DER, 500' left of centerline, 3' MSL.**Rwy 32**, terrain 0' from DER, 238' left of centerline, 1' MSL.

Terrain 0' from DER, 287' right of centerline, 3' MSL.

Glideslope/ILS top 1396' from DER, 63' left of centerline, 40' MSL.

Terrain 0' from DER, 500' left of centerline, 3' MSL.

NEW ROADS, LA

FALSE RIVER RGNL (HZR)

TAKEOFF MINIMUMS AND (OBSTACLE) DEPARTURE PROCEDURES

ORIG 05JUN08 (08157) (FAA)

TAKEOFF OBSTACLE NOTES:

Rwy 36, fence 97' from DER, 248' right of centerline, 5' AGL/44' MSL.

Pole 1263' from DER, 215' left of centerline, 45' AGL/84' MSL.

Trees beginning 1268' from DER, 127' right of centerline, up to 110' AGL/159' MSL.

Trees beginning 2436' from DER, 26' left of centerline, up to 127' AGL/176' MSL.

Rwy 18, road beginning 86' from DER, 398' right of centerline, up to 15' AGL/49' MSL.

Fence 220' from DER, 362' right of centerline, 6' AGL/39' MSL.

OAKDALE, LA

ALLEN PARISH (ACP)

TAKEOFF MINIMUMS AND (OBSTACLE) DEPARTURE PROCEDURES

ORIG 23NOV06 (06327) (FAA)

TAKEOFF OBSTACLE NOTES:

Rwy 18, trees 400' from DER, 260' left of centerline, 30' AGL/134' MSL.**Rwy 36**, trees 1300' from DER, on centerline, 50' AGL/159' MSL.

OKOLONA, MS

OKOLONA MUNI/RICHARD STOVALL FLD (5A4)

TAKEOFF MINIMUMS AND (OBSTACLE) DEPARTURE PROCEDURES

AMDT 1 24JUL14 (22083) (FAA)

TAKEOFF OBSTACLE NOTES:

Rwy 18, tree 47' from DER, 456' left of centerline, 69' AGL/390' MSL.

Tree 423' from DER, 602' right of centerline, 85' AGL/396' MSL.

Transmission line towers and trees, beginning 962' from DER, left and right of centerline, up to 79' AGL/402' MSL.

Rwy 36, trees beginning 288' from DER, 529' right of centerline, up to 70' AGL/371' MSL.

Trees beginning 771' from DER, left and right of centerline, up to 85' AGL/376' MSL.

Trees beginning 1585' from DER, 34' right of centerline, up to 81' AGL/402' MSL.

Trees beginning 3010' from DER, 1173' right of centerline, up to 106' AGL/427' MSL..

OLIVE BRANCH, MS

OLIVE BRANCH/TAYLOR FLD (OLV)

TAKEOFF MINIMUMS AND (OBSTACLE) DEPARTURE PROCEDURES

AMDT 1 12DEC13 (22139) (FAA)

TAKEOFF OBSTACLE NOTES:

Rwy 18, ground beginning 164' from DER, 385' right of centerline, 401' MSL.

Trees beginning 191' from DER, 395' left of centerline, up to 23' AGL/413' MSL.

Trees beginning 1212' from DER, left and right of centerline, up to 100' AGL/480' MSL.

Trees beginning 3028' from DER, 123' left of centerline, up to 93' AGL/483' MSL.

Trees beginning 4193' from DER, left and right of centerline, up to 100' AGL/519' MSL.

Rwy 36, trees beginning 1224' from DER, left and right of centerline, up to 100' AGL/509' MSL.

Trees beginning 2763' from DER, left and right of centerline, up to 100' AGL/479' MSL.

TAKEOFF MINIMUMS, (OBSTACLE) DEPARTURE PROCEDURES, AND DIVERSE VECTOR AREA (RADAR VECTORS)

24025

TAKEOFF MINIMUMS, (OBSTACLE) DEPARTURE PROCEDURES, AND DIVERSE VECTOR AREA (RADAR VECTORS)

24025

OPELOUSAS, LA

ST LANDRY PARISH (OPL)

TAKEOFF MINIMUMS AND (OBSTACLE) DEPARTURE PROCEDURES

AMDT 1 31MAY12 (23166) (FAA)

TAKEOFF MINIMUMS:

Rwy 18, 300-1¼ or std. w/min. climb of 261' per NM to 400.

TAKEOFF OBSTACLE NOTES:

Rwy 6, vehicles on road 499' from DER, on centerline, up to 15' AGL/89' MSL.

Buildings 94' from DER, 367' left of centerline, 25' AGL/99' MSL.

Trees beginning 241' from DER, 274' left of centerline, up to 100' AGL/179' MSL.

Trees beginning 909' from DER, 341' right of centerline, up to 100' AGL/174' MSL.

Buildings 977' from DER, 710' right of centerline, 25' AGL/104' MSL.

Poles beginning 1219' from DER, 626' right of centerline, 50' AGL/124' MSL.

Rwy 18, trees beginning 132' from DER, 271' right of centerline, up to 100' AGL/155' MSL.

Trees beginning 383' from DER, 358' left of centerline, up to 100' AGL/169' MSL.

Tower 6046' from DER, 895' left of centerline, 207' AGL/269' MSL.

Buildings 1072' from DER, 503' left of centerline, 25' AGL/99' MSL.

Pole 2581' from DER, 443' left of centerline, 78' AGL/147' MSL.

Vehicles on road 396' from DER, right and left of centerline, 15' AGL/89' MSL.

Rwy 24, vehicles on road 255' from DER, on centerline, 15' AGL/84' MSL.

Trees beginning 151' from DER, 311' left of centerline, up to 100' AGL/169' MSL.

Buildings 345' from DER, 551' left of centerline, 25' AGL/94' MSL.

Poles beginning 505' from DER, 394' left of centerline, 50' AGL/119' MSL.

Trees beginning 254' from DER, 220' right of centerline, 100' AGL/169' MSL.

Buildings 385' from DER, 269' right of centerline, 25' AGL/94' MSL.

Poles beginning 527' from DER, 299' right of centerline, 50' AGL/119' MSL.

Rwy 36, trees beginning 823' from DER, right and left of centerline, up to 100' AGL/158' MSL.

Pole 1116' from DER, 147' right of centerline, 35' AGL/104' MSL.

OXFORD, MS

UNIVERSITY-OXFORD (UOX)

TAKEOFF MINIMUMS AND (OBSTACLE) DEPARTURE PROCEDURES

AMDT 2 13NOV14 (14317) (FAA)

TAKEOFF MINIMUMS:

Rwy 9, 300-1¼ or std. w/min. climb of 472' per NM to 800.

DEPARTURE PROCEDURE:

Rwy 9, climb heading 092° to 900 before proceeding on course.

TAKEOFF OBSTACLE NOTES:

Rwy 9, trees beginning 58' from DER, 237' right of centerline, up to 79' AGL/622' MSL.

Trees beginning 140' from DER, 404' left of centerline, up to 84' AGL/555' MSL.

Trees, tower and obstruction light antenna beginning 3729' from DER, left and right of centerline, up to 147' AGL/672' MSL.

Rwy 27, tree 39' from DER, 494' right of centerline, up to 74' AGL/434' MSL.

Trees beginning 602' from DER, 572' right of centerline, up to 94' AGL/474' MSL.

PASCAGOULA, MS

TRENT LOTT INTL (PQL)

TAKEOFF MINIMUMS AND (OBSTACLE) DEPARTURE PROCEDURES

AMDT 1 25AUG11 (11237) (FAA)

TAKEOFF MINIMUMS:

Rwy 17, 300-1¼ or std. w/min. climb of 226' per NM to 400, or alternatively, with standard takeoff minimums and a normal 200' per NM climb gradient, takeoff must occur no later than 1600' prior to DER.

Rwy 35, std. w/min. climb of 217' per NM to 1000 or 900-2½ for climb in visual conditions.

DEPARTURE PROCEDURE:

Rwy 35, for climb in visual conditions: cross Trent Lott Intl Airport at or above 800' MSL before proceeding on course.

TAKEOFF OBSTACLE NOTES:

Rwy 17, trees beginning 1622' from DER, 46' left of centerline, up to 64' AGL/71' MSL.

Tree 2298' from DER, 77' right of centerline, 71' AGL/80' MSL.

Transmission tower 3912' from DER, 1412' left of centerline, 112' AGL/121' MSL.

Sign 5417' from DER, 1141' right of centerline, 159' AGL/170' MSL.

Rwy 35, tree 2997' from DER, 1162' right of centerline, 79' AGL/93' MSL.

22 FEB 2024 to 21 MAR 2024

22 FEB 2024 to 21 MAR 2024

TAKEOFF MINIMUMS, (OBSTACLE) DEPARTURE PROCEDURES, AND DIVERSE VECTOR AREA (RADAR VECTORS)

24025

SC-4


**TAKEOFF MINIMUMS, (OBSTACLE) DEPARTURE PROCEDURES, AND
DIVERSE VECTOR AREA (RADAR VECTORS)**


24025

PATTERSON, LA

HARRY P WILLIAMS MEML (PTN)

TAKEOFF MINIMUMS AND (OBSTACLE) DEPARTURE PROCEDURES

AMDT 1B 20JUN19 (22139) (FAA)

TAKEOFF MINIMUMS:

Rwys 4W, 22W, NA-Environmental.

TAKEOFF OBSTACLE NOTES:

Rwy 6, fence 84' from DER, 303' left of centerline, 8' AGL/14' MSL.

Trees beginning 1876' from DER, 935' left of centerline, up to 76' AGL/85' MSL.

Rwy 24, fence 2' from DER, 443' left of centerline, 4' AGL/11' MSL.

Fence 197' from DER, 252' right of centerline, 7' AGL/14' MSL.

Obstruction light on DME 490' from DER, 255' right of centerline, 21' AGL/28' MSL..

Trees and pole beginning 772' from DER, 256' right of centerline, up to 97' AGL/102' MSL.

PHILADELPHIA, MS

PHILADELPHIA MUNI (MPE)

TAKEOFF MINIMUMS AND (OBSTACLE) DEPARTURE PROCEDURES

AMDT 2 22OCT09 (09295) (FAA)

TAKEOFF OBSTACLE NOTES:

Rwy 18, trees beginning 35' from DER, 58' left of centerline and 276' right of centerline, up to 100' AGL/585' MSL.**Rwy 36**, trees beginning 184' from DER, 370' right of centerline, up to 75' AGL/494' MSL.

Trees beginning 2500' from DER, 51' right of centerline 136' AGL/535' MSL.

PICAYUNE, MS

PICAYUNE MUNI (MJD)

TAKEOFF MINIMUMS AND (OBSTACLE) DEPARTURE PROCEDURES

ORIG 25SEP08 (08269) (FAA)

DEPARTURE PROCEDURE:

Rwy 36, climb heading 359° to 800 before proceeding on course.

TAKEOFF OBSTACLE NOTES:

Rwy 18, trees and bushes beginning 76' from DER, 18' left of centerline, up to 20' AGL/69' MSL.

Trees and bushes beginning 211' from DER, 182' right of centerline, up to 28' AGL/77' MSL.

Rwy 36, pole, trees, and bushes beginning 969' from DER, 183' left of centerline, up to 94' AGL/144' MSL.

Pole, bush, and trees beginning 63' from DER, 74' right of centerline, up to 97' AGL/143' MSL.

POPLARVILLE, MS

POPLARVILLE/PEARL RIVER COUNTY (M13)

TAKEOFF MINIMUMS AND (OBSTACLE) DEPARTURE PROCEDURES

ORIG 10DEC15 (21336) (FAA)

TAKEOFF MINIMUMS:

Rwy 34, 400-1¼ or std. w/min. climb of 405' per NM to 900.

TAKEOFF OBSTACLE NOTES:

Rwy 16, trees beginning 504' from DER, 530' left of centerline, up to 100' AGL/399' MSL.

Trees beginning 745' from DER, crossing centerline, up to 100' AGL/389' MSL.

Trees beginning 1239' from DER, 450' right of centerline, up to 100' AGL/419' MSL.

Rwy 34, trees beginning 104' from DER, 469' right of centerline, up to 100' AGL/419' MSL.

Trees beginning 436' from DER, 467' left of centerline, up to 100' AGL/409' MSL.

Trees beginning 2720' from DER, 1166' right of centerline, up to 100' AGL/429' MSL.

Tower 1.3 NM from DER, 2414' right of centerline, 335' AGL/665' MSL.

PRENTISS, MS

PRENTISS-JEFFERSON DAVIS COUNTY (M43)

TAKEOFF MINIMUMS AND (OBSTACLE) DEPARTURE PROCEDURES

ORIG 25SEP08 (08269) (FAA)

TAKEOFF OBSTACLE NOTES:

Rwy 12, poles and trees beginning 168' from DER, 256' left of centerline, up to 85' AGL/544' MSL.

Trees beginning 231' from DER, 264' right of centerline, up to 72' AGL/511' MSL.

Rwy 30, vehicle on road and trees beginning 91' from DER, 110' le' of centerline, up to 64' AGL/513' MSL.

Trees beginning 673' from DER, 360' right of centerline, up to 81' AGL/530' MSL.

22 FEB 2024 to 21 MAR 2024

22 FEB 2024 to 21 MAR 2024


**TAKEOFF MINIMUMS, (OBSTACLE) DEPARTURE PROCEDURES, AND
DIVERSE VECTOR AREA (RADAR VECTORS)**


24025

SC-4


TAKEOFF MINIMUMS, (OBSTACLE) DEPARTURE PROCEDURES, AND


DIVERSE VECTOR AREA (RADAR VECTORS)

24025

RAYMOND, MS

JOHN BELL WILLIAMS (JVW)

TAKEOFF MINIMUMS AND (OBSTACLE) DEPARTURE PROCEDURES

AMDT 4 25AUG11 (11237) (FAA)

DEPARTURE PROCEDURE:

Rwy 12, climb via heading 124° to 2600 before proceeding on course.**Rwy 30**, climb via heading 304° to 1600 before proceeding on course.

TAKEOFF OBSTACLE NOTES:

Rwy 12, trees beginning 1' from DER, 132' right of centerline, up to 100' AGL/379' MSL.

Trees beginning 1753' from DER, 788' left of centerline, up to 100' AGL/359' MSL.

Rwy 30, pole 1522' from DER, 533' right of centerline, 57' AGL/ 287' MSL.

Trees beginning 593' from DER, 426' right of centerline, up to 100' AGL/339' MSL.

Trees beginning 36' from DER, 163' left of centerline, up to 100' AGL/349' MSL.

RAYVILLE, LA

JOHN H HOOKS JR MEML (M79)

TAKEOFF MINIMUMS AND (OBSTACLE) DEPARTURE PROCEDURES

ORIG 12MAR09 (22195) (FAA)

TAKEOFF MINIMUMS:

Rwys 9, 27, NA-Environmental.

TAKEOFF OBSTACLE NOTES:

Rwy 18, building 104' from DER, 364' right of centerline, 22' AGL/101' MSL.

Trees beginning 442' from DER, 230' left of centerline, up to 100' AGL/174' MSL.

Trees beginning 1874' from DER, 972' right of centerline, up to 100' AGL/146' MSL.

Rwy 36, trees beginning 20' from DER, 328' right of centerline, up to 100' AGL/156' MSL.

Trees beginning 900' from DER, 300' left of centerline, up to 100' AGL/156' MSL.

Trees beginning 1973' from DER, from left to right of centerline, up to 100' AGL/178' MSL.

RESERVE, LA

PORT OF SOUTH LOUISIANA EXEC RGNL (APS)

TAKEOFF MINIMUMS AND (OBSTACLE) DEPARTURE PROCEDURES

AMDT 1A 05JAN17 (21168) (FAA)

TAKEOFF MINIMUMS:

Rwy 17, 300-1¼ or std. w/min. climb of 240' per NM to 400.

DEPARTURE PROCEDURE:

Rwy 17, climb heading 173° to 1400 before turning right.

TAKEOFF OBSTACLE NOTES:

Rwy 17, bush 43' from DER, 362' right of centerline, 3' AGL/8' MSL.

Tree 131' from DER, 497' left of centerline, 22' AGL/22' MSL.

Poles beginning 1377' from DER, 109' right of centerline, up to 40' AGL/46' MSL.

Poles beginning 1482' from DER, 135' right of centerline, up to 42' AGL/46' MSL.

Transmission towers beginning 1706' from DER, 184' right of centerline, up to 118' AGL/124' MSL.

Transmission towers beginning 2156' from DER, 151' left of centerline, up to 73' AGL/78' MSL.

Transmission tower 3209' from DER, 214' right of centerline, 86' AGL/93' MSL.

Transmission tower 3293' from DER, 364' left of centerline, 92' AGL/98' MSL.

Elevator 1.44 NM from DER, 114' right of centerline, 250' AGL/266' MSL.

Rwy 35, rising terrain 14' from DER, 432' right of centerline, 7' MSL.

Rising terrain 14' from DER, 260' left of centerline, 7' MSL.

Trees beginning 424' from DER, 540' left of centerline, up to 74' AGL/78' MSL.

Trees beginning 811' from DER, 621' right of centerline, up to 82' AGL/86' MSL.

Trees beginning 1091' from DER, 44' left of centerline, up to 87' AGL/91' MSL.

Trees beginning 1142' from DER, 100' right of centerline, up to 44' AGL/48' MSL.

Trees beginning 1438' from DER, 60' left of centerline, up to 88' AGL/92' MSL.

Trees beginning 1526' from DER, 9' right of centerline, up to 92' AGL/96' MSL.

Trees beginning 2394' from DER, 40' right of centerline, up to 100' AGL/104' MSL.

Trees beginning 2698' from DER, 13' left of centerline, up to 98' AGL/102' MSL.

22 FEB 2024 to 21 MAR 2024

22 FEB 2024 to 21 MAR 2024


TAKEOFF MINIMUMS, (OBSTACLE) DEPARTURE PROCEDURES, AND


DIVERSE VECTOR AREA (RADAR VECTORS)

24025

SC-4

TAKEOFF MINIMUMS, (OBSTACLE) DEPARTURE PROCEDURES, AND DIVERSE VECTOR AREA (RADAR VECTORS)

24025

RIPLEY, MS

RIPLEY (25M)

TAKEOFF MINIMUMS AND (OBSTACLE) DEPARTURE PROCEDURES

ORIG 18JAN07 (07018) (FAA)

TAKEOFF MINIMUMS:

Rwy 3, 300-1¾ or std. w/min. climb of 233' per NM to 800, or alternatively, with std. takeoff minimums and a normal 200'/NM climb gradient, takeoff must occur no later than 2100' prior to DER.

DEPARTURE PROCEDURE:

Rwy 21, climb heading 213° to 1100 before turning left.

TAKEOFF OBSTACLE NOTES:

Rwy 3, multiple trees beginning 774' from DER, 189' left of centerline, up to 100' AGL/569' MSL.

Multiple trees beginning 1485' from DER, 331' left of centerline, up to 100' AGL/576' MSL.

Multiple trees beginning 1.2 NM from DER, 1852' right of centerline, up to 100' AGL/689' MSL.

Multiple trees beginning 1.2 NM from DER, 9' left of centerline, up to 100' AGL/669' MSL.

Multiple trees beginning 1.4 NM from DER, 2100' right of centerline, up to 100' AGL/699' MSL.

Rwy 21, multiple trees beginning 198' from DER, 189' left of centerline, up to 100' AGL/519' MSL.

Multiple trees beginning 333' from DER, 307' right of centerline, up to 100' AGL/519' MSL.

RUSTON, LA

RUSTON RGNL (RSN)

TAKEOFF MINIMUMS AND (OBSTACLE) DEPARTURE PROCEDURES

AMDT 1 12AUG21 (21224) (FAA)

TAKEOFF OBSTACLE NOTES:

Rwy 18, terrain 3' from DER, 194' right of centerline, 319' MSL.

Terrain 4' from DER, 395' left of centerline, 319' MSL.

Terrain beginning 4' from DER, 79' right of centerline, up to 322' MSL.

Fence, terrain beginning 5' from DER, 56' right of centerline, up to 4' AGL/324' MSL.

Terrain beginning 10' from DER, 449' left of centerline, up to 320' MSL.

Traverse way, terrain, fence beginning 94' from DER, 6' right of centerline, up to 333' MSL.

Terrain 108' from DER, 9' left of centerline, 324' MSL.

Traverse way, terrain beginning 139' from DER, 8' right of centerline, up to 334' MSL.

Pole, terrain, traverse way beginning 181' from DER, 34' right of centerline, up to 38' AGL/346' MSL.

Trees, poles beginning 270' from DER, 28' right of centerline, up to 391' MSL.

Tree 437' from DER, 282' left of centerline, 339' MSL.

Trees beginning 574' from DER, 300' left of centerline, up to 346' MSL.

Trees beginning 649' from DER, 233' left of centerline, up to 79' AGL/354' MSL.

Trees, pole beginning 1309' from DER, 36' left of centerline, up to 107' AGL/377' MSL.

Trees beginning 1565' from DER, 730' left of centerline, up to 378' MSL.

Tree 1663' from DER, 727' left of centerline, 93' AGL/383' MSL.

Trees beginning 1782' from DER, 236' left of centerline, up to 100' AGL/398' MSL.

Trees beginning 1994' from DER, 274' right of centerline, up to 64' AGL/404' MSL.

Tree 2080' from DER, 309' left of centerline, 74' AGL/399' MSL.

Trees beginning 2117' from DER, 10' right of centerline, up to 422' MSL.

Trees beginning 2124' from DER, 22' left of centerline, up to 76' AGL/400' MSL.

Trees beginning 2150' from DER, 23' right of centerline, up to 97' AGL/423' MSL.

Rwy 36, terrain beginning 69' from DER, 290' right of centerline, up to 281' MSL.

Trees beginning 101' from DER, 495' right of centerline, up to 54' AGL/320' MSL.

Trees beginning 2211' from DER, 117' left of centerline, up to 92' AGL/337' MSL.

Trees beginning 2220' from DER, 64' right of centerline, up to 84' AGL/332' MSL.

Trees beginning 2294' from DER, 160' left of centerline, up to 90' AGL/338' MSL.

Trees beginning 2298' from DER, 195' left of centerline, up to 93' AGL/341' MSL.

SHREVEPORT, LA

SHREVEPORT DOWNTOWN (DTN)

TAKEOFF MINIMUMS AND (OBSTACLE) DEPARTURE PROCEDURES

AMDT 4 17JUN21 (21168) (FAA)

TAKEOFF MINIMUMS:

Rwy 23, 300-1½ or std. w/min. climb of 205' per NM to 500, or alternatively, with std. takeoff minimums and a normal 200' per NM climb gradient, takeoff must occur no later than 1100 feet prior to DER.

Rwy 32, std. w/min. climb of 215' per NM to 2700.

DEPARTURE PROCEDURE:

Rwy 23, climb on heading 234° to 800 before turning left.

TAKEOFF OBSTACLE NOTES:

Rwy 5, tree 94' from DER, 469' right of centerline, 214' MSL.

Vegetation 95' from DER, 476' left of centerline, 178' MSL.

Trees beginning 184' from DER, 263' right of centerline, up to 215' MSL.

Trees beginning 323' from DER, 31' right of centerline, up to 223' MSL.

Trees beginning 362' from DER, 8' left of centerline, up to 252' MSL.

Trees beginning 426' from DER, 6' right of centerline, up to 249' MSL.

Trees beginning 618' from DER, on centerline, up to 255' MSL.

Trees beginning 1088' from DER, 30' left of centerline, up to 256' MSL.

Trees beginning 1162' from DER, 118' left of centerline, up to 260' MSL.

Trees beginning 1164' from DER, 25' left of centerline, up to 269' MSL.

CON'T

TAKEOFF MINIMUMS, (OBSTACLE) DEPARTURE PROCEDURES, AND DIVERSE VECTOR AREA (RADAR VECTORS)

24025

SC-4

TAKEOFF MINIMUMS, (OBSTACLE) DEPARTURE PROCEDURES, AND DIVERSE VECTOR AREA (RADAR VECTORS)

24025

SHREVEPORT, LA (CON'T)

SHREVEPORT DOWNTOWN (DTN) (CON'T)

Rwy 5 (CON'T), trees beginning 1248' from DER, 3' left of centerline, up to 274' MSL.

Trees beginning 1681' from DER, 9' right of centerline, up to 263' MSL.

Trees beginning 1723' from DER, 12' right of centerline, up to 269' MSL.

Trees beginning 1868' from DER, 7' right of centerline, up to 271' MSL.

Tree 3478' from DER, 9' right of centerline, 274' MSL.

Trees beginning 3484' from DER, 32' right of centerline, up to 279' MSL.

Trees beginning 3498' from DER, 14' right of centerline, up to 281' MSL.

Trees beginning 3611' from DER, 214' left of centerline, up to 283' MSL.

Trees beginning 3797' from DER, 1167' left of centerline, up to 286' MSL.

Tree 3904' from DER, 1258' left of centerline, 288' MSL.

Rwy 14, building 23' from DER, 465' right of centerline, 191' MSL.

Tree 493' from DER, 371' left of centerline, 222' MSL.

Tree 497' from DER, 426' left of centerline, 228' MSL.

Trees beginning 1119' from DER, 351' left of centerline, up to 241' MSL.

Barge 1502' from DER, crossing centerline, 238' MSL.

Trees beginning 1561' from DER, 359' right of centerline, up to 255' MSL.

Trees beginning 1895' from DER, 25' right of centerline, up to 277' MSL.

Trees beginning 2006' from DER, 169' right of centerline, up to 286' MSL.

Trees beginning 2121' from DER, 149' left of centerline, up to 276' MSL.

Trees beginning 2720' from DER, 66' left of centerline, up to 279' MSL.

Rwy 23, building 187' from DER, 483' right of centerline, 196' MSL.

Building 257' from DER, 396' right of centerline, 198' MSL.

Pole 305' from DER, 543' right of centerline, 202' MSL.

Trees, poles, vehicle on road, buildings beginning 337' from DER, 283' right of centerline, up to 224' MSL.

Buildings, pole beginning 477' from DER, 227' left of centerline, up to 204' MSL.

Tree, poles, buildings beginning 644' from DER, 297' left of centerline, up to 207' MSL.

Tree, pole beginning 1048' from DER, 494' left of centerline, up to 237' MSL.

Trees beginning 1074' from DER, 271' left of centerline, up to 266' MSL.

Trees, pole beginning 1153' from DER, 254' left of centerline, up to 267' MSL.

Trees beginning 1244' from DER, 396' right of centerline, up to 247' MSL.

Tree 2348' from DER, 948' right of centerline, 256' MSL.

Trees beginning 3464' from DER, 1283' left of centerline, up to 271' MSL.

Pole 4345' from DER, 196' right of centerline, 295' MSL.

Tower 1.2 NM from DER, 1695' right of centerline, 363' MSL.

Rwy 32, fence beginning 12' from DER, 241' right of centerline, up to 180' MSL.

Vehicle on road 72' from DER, 471' right of centerline, 191' MSL.

Tree 284' from DER, 556' right of centerline, 259' MSL.

Vehicle on road beginning 319' from DER, 266' left of centerline, up to 193' MSL.

Tree 374' from DER, 441' left of centerline, 206' MSL.

Trees beginning 593' from DER, 495' left of centerline, up to 250' MSL.

Tree 1077' from DER, 755' left of centerline, 261' MSL.

Trees beginning 1267' from DER, 32' left of centerline, up to 262' MSL.

Tree 2506' from DER, 760' left of centerline, 267' MSL.

SHREVEPORT RGNL (SHV)

TAKEOFF MINIMUMS AND (OBSTACLE) DEPARTURE PROCEDURES

AMDT 2 16JUL20 (20198) (FAA)

TAKEOFF MINIMUMS:

Rwy 6, std. w/min. climb of 225' per NM to 900 or 900-2½ for climb in visual conditions.

DEPARTURE PROCEDURE:

Rwy 6, obtain ATC approval for VOCA when requesting IFR clearance. Climb in visual conditions to cross Shreveport Rgnl airport at or above 1000 before proceeding on course

TAKEOFF OBSTACLE NOTES:

Rwy 6, pole, beginning 34' from DER, 150' left of centerline, up to 2' AGL/231' MSL.

Tree 1306' from DER, 757' left of centerline, 267' MSL.

Tree 1353' from DER, 784' left of centerline, 271' MSL.

Trees beginning 1499' from DER, 699' left of centerline, up to 290' MSL.

Tree 1499' from DER, 856' right of centerline, 66' AGL/280' MSL.

Trees beginning 1527' from DER, 21' right of centerline, up to 81' AGL/295' MSL.

Tree 1960' from DER, 848' left of centerline, 73' AGL/291' MSL.

Stack 1.2 NM from DER, 2437' left of centerline, 175' AGL/416' MSL.

Tank 1.3 NM from DER, 1984' left of centerline, 214' AGL/440' MSL.

Tower 2.5 NM from DER, 262' right of centerline, 420' AGL/661' MSL.

Rwy 14, pole 67' from DER, 4' right of centerline, 5' AGL/227' MSL.

Traverse way 193' from DER, 513' left of centerline, 228' MSL.

Pole beginning 727' from DER, 0' of centerline, up to 16' AGL/245' MSL.

Pole, NAVAID beginning 727' from DER, 27' left of centerline, up to 16' AGL/245' MSL.

Pole 867' from DER, 579' left of centerline, 25' AGL/246' MSL.

Pole beginning 960' from DER, 0' of centerline, up to 25' AGL/252' MSL.

Trees beginning 1033' from DER, 175' left of centerline, up to 257' MSL.

Pole 1116' from DER, 333' right of centerline, 22' AGL/254' MSL.

Trees beginning 1147' from DER, 512' left of centerline, up to 266' MSL.

Pole, tree beginning 1156' from DER, 0' of centerline, up to 26' AGL/257' MSL.

CON'T

TAKEOFF MINIMUMS, (OBSTACLE) DEPARTURE PROCEDURES, AND DIVERSE VECTOR AREA (RADAR VECTORS)

24025

SC-4

TAKEOFF MINIMUMS, (OBSTACLE) DEPARTURE PROCEDURES, AND DIVERSE VECTOR AREA (RADAR VECTORS)

24025

SHREVEPORT, LA (CON'T) SHREVEPORT RGNL (SHV) (CON'T)

Rwy 14 (CON'T), trees beginning 1315' from DER, 167' right of centerline, up to 260' MSL.

Tree 1477' from DER, 261' left of centerline, 267' MSL.

Tree 1547' from DER, 169' right of centerline, 264' MSL.

Trees beginning 1587' from DER, 368' left of centerline, up to 277' MSL.

Tree 1743' from DER, 634' left of centerline, 285' MSL.

Trees beginning 1803' from DER, 292' left of centerline, up to 288' MSL.

Tree 2136' from DER, 1070' right of centerline, 296' MSL.

Trees beginning 2143' from DER, 303' left of centerline, up to 293' MSL.

Trees beginning 2327' from DER, 317' left of centerline, up to 295' MSL.

Trees beginning 2409' from DER, 66' right of centerline, up to 316' MSL.

Tree 2570' from DER, 913' left of centerline, 297' MSL.

Tree, pole beginning 2573' from DER, 111' right of centerline, up to 329' MSL.

Trees beginning 2621' from DER, 117' left of centerline, up to 299' MSL.

Trees beginning 2809' from DER, 91' left of centerline, up to 301' MSL.

Trees beginning 2899' from DER, 89' right of centerline, up to 331' MSL.

Tree 3110' from DER, 349' left of centerline, 302' MSL.

Tree 3808' from DER, 1279' right of centerline, 336' MSL.

Trees beginning 3817' from DER, 84' right of centerline, up to 340' MSL.

Trees beginning 3968' from DER, 1172' right of centerline, up to 348' MSL.

Trees beginning 4046' from DER, 457' right of centerline, up to 359' MSL.

Trees beginning 4229' from DER, 244' right of centerline, up to 366' MSL.

Trees beginning 4354' from DER, 142' left of centerline, up to 342' MSL.

Tree 4549' from DER, 429' left of centerline, 346' MSL.

Trees beginning 4575' from DER, 298' left of centerline, up to 358' MSL.

Rwy 24, terrain 4' from DER, 194' right of centerline, 239' MSL.

Terrain 6' from DER, 335' right of centerline, 240' MSL.

Traverse way 170' from DER, 494' right of centerline, 254' MSL.

Pole, transmission line beginning 1017' from DER, 178' left of centerline, up to 47' AGL/274' MSL.

Pole beginning 1117' from DER, 13' left of centerline, up to 49' AGL/277' MSL.

Tree 2366' from DER, 945' right of centerline, 301' MSL.

Tree 2375' from DER, 974' left of centerline, 54' AGL/308' MSL.

Tree 2396' from DER, 1093' right of centerline, 308' MSL.

Trees beginning 2438' from DER, 5' left of centerline, up to 64' AGL/319' MSL.

Tree 2515' from DER, 981' right of centerline, 71' AGL/309' MSL.

Trees beginning 2586' from DER, 19' right of centerline, up to 78' AGL/317' MSL.

Trees beginning 2774' from DER, 25' left of centerline, up to 81' AGL/333' MSL.

Trees beginning 2797' from DER, 55' right of centerline, up to 320' MSL.

Trees beginning 2820' from DER, 1' right of centerline, up to 324' MSL.

Trees beginning 2843' from DER, 338' left of centerline, up to 83' AGL/354' MSL.

Trees beginning 2851' from DER, 16' left of centerline, up to 356' MSL.

Trees beginning 2873' from DER, 289' right of centerline, up to 327' MSL.

Trees beginning 2882' from DER, 19' right of centerline, up to 80' AGL/331' MSL.

Trees beginning 2941' from DER, 26' right of centerline, up to 90' AGL/339' MSL.

Trees beginning 2949' from DER, 73' left of centerline, up to 87' AGL/358' MSL.

Trees beginning 2997' from DER, 83' right of centerline, up to 343' MSL.

Trees beginning 3067' from DER, 112' right of centerline, up to 346' MSL.

Trees beginning 3182' from DER, 37' left of centerline, up to 93' AGL/359' MSL.

Trees beginning 3229' from DER, 15' left of centerline, up to 94' AGL/360' MSL.

Tree, spire beginning 3235' from DER, 1' right of centerline, up to 359' MSL.

Trees beginning 3294' from DER, 82' left of centerline, up to 362' MSL.

Trees beginning 3306' from DER, 8' left of centerline, up to 103' AGL/365' MSL.

Trees beginning 3440' from DER, 2' left of centerline, up to 103' AGL/366' MSL.

Trees beginning 4394' from DER, 183' left of centerline, up to 103' AGL/367' MSL.

Rwy 32, tree 999' from DER, 632' right of centerline, 294' MSL.

Trees beginning 1197' from DER, 732' right of centerline, up to 299' MSL.

Sign 1945' from DER, 776' left of centerline, 44' AGL/310' MSL.

Trees beginning 2220' from DER, 591' right of centerline, up to 327' MSL.

SLIDELL, LA

SLIDELL (ASD)

TAKEOFF MINIMUMS AND (OBSTACLE) DEPARTURE PROCEDURES

ORIG 30JUN11 (11181) (FAA)

TAKEOFF OBSTACLE NOTES:

Rwy 18, trees beginning 126' from DER, 103' left and right of centerline, up to 100' AGL/129' MSL.

Bush 38' from DER, 422' left of centerline, 1' AGL/29' MSL.

Rwy 36, tree 89' from DER, 460' right of centerline, 22' AGL/47' MSL.

TAKEOFF MINIMUMS, (OBSTACLE) DEPARTURE PROCEDURES, AND DIVERSE VECTOR AREA (RADAR VECTORS)

24025

TAKEOFF MINIMUMS, (OBSTACLE) DEPARTURE PROCEDURES, AND DIVERSE VECTOR AREA (RADAR VECTORS)

24025

SPRINGHILL, LA

SPRINGHILL (SPH)

TAKEOFF MINIMUMS AND (OBSTACLE) DEPARTURE PROCEDURES

AMDT 1 29MAR18 (18088) (FAA)

TAKEOFF OBSTACLE NOTES:

Rwy 18, trees beginning 6' from DER, 146' left of centerline, up to 273' MSL.
 Tree 816' from DER, 716' right of centerline, 67' AGL/287' MSL.
 Trees beginning 1096' from DER, 293' left of centerline, up to 277' MSL.
 Trees beginning 1166' from DER, 91' right of centerline, up to 291' MSL.
 Trees beginning 1331' from DER, 6' right of centerline, up to 91' AGL/293' MSL.
 Trees beginning 1345' from DER, 41' left of centerline, up to 280' MSL.
 Trees beginning 1437' from DER, 21' left of centerline, up to 283' MSL.
 Trees beginning 1552' from DER, 7' left of centerline, up to 291' MSL.
 Trees beginning 1648' from DER, 2' right of centerline, up to 307' MSL.
 Trees beginning 1812' from DER, 6' left of centerline, up to 297' MSL.
 Trees beginning 1840' from DER, 120' left of centerline, up to 298' MSL.
 Trees beginning 1854' from DER, 47' left of centerline, up to 302' MSL.
 Trees beginning 1871' from DER, 141' left of centerline, up to 113' AGL/305' MSL.
 Trees beginning 1972' from DER, 34' right of centerline, up to 311' MSL.
 Trees beginning 2051' from DER, 8' left of centerline, up to 83' AGL/309' MSL.
 Trees beginning 2333' from DER, 16' left of centerline, up to 103' AGL/318' MSL.
 Trees beginning 2342' from DER, 32' right of centerline, up to 83' AGL/312' MSL.
 Trees beginning 2542' from DER, 2' right of centerline, up to 98' AGL/319' MSL.
 Trees beginning 2844' from DER, 267' left of centerline, up to 96' AGL/319' MSL.
 Trees beginning 2938' from DER, 771' left of centerline, up to 324' MSL.
 Trees beginning 3100' from DER, 676' left of centerline, up to 99' AGL/331' MSL.
 Trees beginning 3257' from DER, 537' right of centerline, up to 99' AGL/336' MSL.
Rwy 36, tree 36' from DER, 115' left of centerline, 7' AGL/210' MSL.
 Tree 109' from DER, 249' left of centerline, 5' AGL/211' MSL.
 Terrain 191' from DER, 489' left of centerline, 212' MSL.
 Terrain 408' from DER, 573' left of centerline, 217' MSL.
 Trees beginning 757' from DER, 676' right of centerline, up to 82' AGL/278' MSL.
 Tree 1026' from DER, 683' left of centerline, 86' AGL/292' MSL.
 Trees beginning 1127' from DER, 671' right of centerline, up to 80' AGL/283' MSL.
 Tree 1174' from DER, 802' left of centerline, 110' AGL/317' MSL.
 Trees beginning 1212' from DER, 4' left of centerline, up to 112' AGL/319' MSL.
 Trees beginning 1575' from DER, 63' right of centerline, up to 82' AGL/286' MSL.
 Tree 2080' from DER, 35' right of centerline, 289' MSL.
 Trees beginning 2106' from DER, 104' right of centerline, up to 292' MSL.
 Trees beginning 2129' from DER, 9' right of centerline, up to 295' MSL.
 Tree 2182' from DER, 322' right of centerline, 296' MSL.
 Trees beginning 2210' from DER, 77' right of centerline, up to 297' MSL.
 Trees beginning 2242' from DER, 113' right of centerline, up to 298' MSL.
 Trees beginning 2261' from DER, 4' right of centerline, up to 301' MSL.
 Trees beginning 2283' from DER, 49' right of centerline, up to 305' MSL.
 Trees beginning 2487' from DER, 30' right of centerline, up to 106' AGL/310' MSL.

STARKVILLE, MS

GEORGE M BRYAN (STF)

TAKEOFF MINIMUMS AND (OBSTACLE) DEPARTURE PROCEDURES

ORIG 05JUL07 (07186) (FAA)

TAKEOFF OBSTACLE NOTES:

Rwy 18, multiple trees beginning 52' from DER, 395' right of centerline up to 79' AGL/378' MSL.
 Trees 1037' from DER, 463' left of centerline, 45' AGL/365' MSL.
 Tower 5406' from DER, 402' left of centerline, 165' AGL/464' MSL.
Rwy 36, windsock and trees beginning 24' from DER, 340' right of centerline up to 110' AGL/429' MSL.
 Trees 170' from DER, 323' left of centerline, 67' AGL/376' MSL.

OKITIBBEHA (M51)

TAKEOFF MINIMUMS AND (OBSTACLE) DEPARTURE PROCEDURES

ORIG-A 03APR14 (14093) (FAA)

TAKEOFF OBSTACLE NOTES:

Rwy 14, trees 117' from DER, 199' right of centerline, up to 100' AGL/359' MSL.
 Trees 207' from DER, 103' left of centerline, up to 100' AGL/359' MSL.
 Vehicle on road 28' from DER, on centerline, 15' AGL/265' MSL.
Rwy 19, trees beginning 76' from DER, left and right of centerline, up to 100' AGL/379' MSL.
Rwy 32, trees beginning 123' from DER, 372' left of centerline, up to 100' AGL/369' MSL.
 Trees beginning 378' from DER, right and left of centerline, up to 100' AGL/369' MSL.
Rwy 1, trees beginning 242' from DER, 466' right of centerline, up to 100' AGL/359' MSL.
 Trees beginning 1190' from DER, left and right of centerline, up to 100' AGL/349' MSL.

TAKEOFF MINIMUMS, (OBSTACLE) DEPARTURE PROCEDURES, AND DIVERSE VECTOR AREA (RADAR VECTORS)

24025

SC-4

TAKEOFF MINIMUMS, (OBSTACLE) DEPARTURE PROCEDURES, AND DIVERSE VECTOR AREA (RADAR VECTORS)

24025

SULPHUR, LA

SOUTHLAND FLD (UXL)

TAKEOFF MINIMUMS AND (OBSTACLE) DEPARTURE PROCEDURES

ORIG 12MAR09 (21252) (FAA)

TAKEOFF OBSTACLE NOTES:

Rwy 15, numerous trees and poles beginning 200' from DER, left and right of centerline, up to 63' AGL/72' MSL.

Tree 862' from DER, 494' right of centerline, 100' AGL/114' MSL.

Rwy 33, numerous trees and poles beginning 64' from DER, left and right of centerline, up to 38' AGL/47' MSL.

Tree 1849' from DER, 647' left of centerline, 100' AGL/114' MSL.

TALLULAH/VICKSBURG, MS, LA

VICKSBURG TALLULAH RGNL (TVR)

TAKEOFF MINIMUMS AND (OBSTACLE) DEPARTURE PROCEDURES

AMDT 1 17OCT13 (13290) (FAA)

TAKEOFF OBSTACLE NOTES:

Rwy 18, fence 200' from DER, 349' right of centerline, 6' AGL/91' MSL.

Pole 1410' from DER, 512' right of centerline, 35' AGL/121' MSL.

Trees beginning 1514' from DER, 881' left of centerline, up to 114' AGL/203' MSL.

Trees 3258' from DER, 129' right of centerline, 94' AGL/179' MSL.

Rwy 36, trees beginning 2382' from DER, 73' left of centerline, up to 89' AGL/177' MSL.

THIBODAUX, LA

THIBODAUX MUNI (L83)

TAKEOFF MINIMUMS AND (OBSTACLE) DEPARTURE PROCEDURES

ORIG 07MAR13 (13066) (FAA)

TAKEOFF OBSTACLE NOTES:

Rwy 8, terrain 1' from DER, 335' left of centerline, 10' MSL.

Vehicle on road 7' from DER, 187' left of centerline, up to 15' AGL/24' MSL.

Vehicle on road 11' from DER, 200' right of centerline, up to 15' AGL/24' MSL.

Trees 144' from DER, 412' right of centerline, up to 100' AGL/109' MSL.

Trees beginning 685' from DER, 62' right of centerline, up to 100' AGL/109' MSL.

Tower 4157' from DER, 1355' right of centerline, 122' AGL/139' MSL.

Rwy 26, trees beginning at DER, 135' left of centerline, up to 100' AGL/104' MSL.

Trees beginning at DER, 146' right of centerline, up to 100' AGL/104' MSL.

Trees and power lines beginning 2445' from DER, left and right of centerline, up to 100' AGL/104' MSL.

TUNICA, MS

TUNICA MUNI (UTA)

TAKEOFF MINIMUMS AND (OBSTACLE) DEPARTURE PROCEDURES

AMDT 2 18NOV10 (10322) (FAA)

TAKEOFF OBSTACLE NOTES:

Rwy 35, tree 1211' from DER, 803' right of centerline, 70' AGL/258' MSL.

TUPELO, MS

TUPELO RGNL (TUP)

TAKEOFF MINIMUMS AND (OBSTACLE) DEPARTURE PROCEDURES

AMDT 1 05MAR15 (15064) (FAA)

TAKEOFF OBSTACLE NOTES:

Rwy 18, runway lights 5' from DER, 4' left and right of centerline, 1' AGL/347' MSL.

Trees beginning 1202' from DER, 804' left of centerline up to 100' AGL/400' MSL.

VICKSBURG, MS

VICKSBURG MUNI (VKS)

TAKEOFF MINIMUMS AND (OBSTACLE) DEPARTURE PROCEDURES

AMDT 3 08NOV18 (18312) (FAA)

TAKEOFF MINIMUMS:

Rwy 1, std. w/min. climb of 290' per NM to 800 or 900 2-1/2 for VCOA.**Rwy 19**, 300-2 or std. w/min. climb of 425' per NM to 400.

VCOA:

Rwy 1, obtain ATC approval for VCOA when requesting IFR clearance. Climb in visual conditions to cross Vicksburg Muni airport at or above 900 before proceeding on course.

TAKEOFF OBSTACLE NOTES:

Rwy 1, vegetation, fence beginning 1' from DER, 293' right of centerline, up to 12' AGL/114' MSL.

Pole, fence beginning 146' from DER, 295' right of centerline, up to 26' AGL/128' MSL.

Traverse way beginning 193' from DER, 9' left of centerline, up to 41' AGL/136' MSL.

Pole, traverse way beginning 352' from DER, 218' right of centerline, up to 38' AGL/139' MSL.

Pole 397' from DER, 315' right of centerline, 41' AGL/141' MSL.

Tree, traverse way, pole beginning 438' from DER, 234' left of centerline, up to 59' AGL/152' MSL.

Tree 468' from DER, 432' right of centerline, 76' AGL/175' MSL.

Tree 683' from DER, 579' left of centerline, 81' AGL/174' MSL.

CON'T

TAKEOFF MINIMUMS, (OBSTACLE) DEPARTURE PROCEDURES, AND DIVERSE VECTOR AREA (RADAR VECTORS)

24025

SC-4

TAKEOFF MINIMUMS, (OBSTACLE) DEPARTURE PROCEDURES, AND DIVERSE VECTOR AREA (RADAR VECTORS)

24025

VICKSBURG, MS (CON'T) VICKSBURG MUNI (VKS) (CON'T)

Rwy 1 (CON'T), trees beginning 775' from DER, 239' right of centerline, up to 86' AGL/182' MSL.

Trees beginning 905' from DER, 463' left of centerline, up to 85' AGL/176' MSL.

Tree 1364' from DER, 45' right of centerline, 79' AGL/185' MSL.

Tree 1365' from DER, 208' right of centerline, 80' AGL/189' MSL.

Tree 1470' from DER, 183' left of centerline, 80' AGL/177' MSL.

Trees beginning 1727' from DER, 76' left of centerline, up to 118' AGL/208' MSL.

Trees beginning 1736' from DER, 5' right of centerline, up to 113' AGL/211' MSL.

Trees beginning 2628' from DER, 119' left of centerline, up to 118' AGL/209' MSL.

Trees beginning 2832' from DER, 153' right of centerline, up to 122' AGL/219' MSL.

Stack 2.2 NM from DER, 2896' left of centerline, 502' AGL/592' MSL.

Rwy 19, fence beginning 13' from DER, 78' right of centerline, up to 30' AGL/135' MSL.

Trees beginning 176' from DER, 237' right of centerline, up to 88' AGL/193' MSL.

Tree 235' from DER, 177' left of centerline, 9' AGL/110' MSL.

Trees beginning 1518' from DER, 70' left of centerline, up to 83' AGL/181' MSL.

Trees beginning 2008' from DER, 682' left of centerline, up to 105' AGL/203' MSL.

Trees beginning 2544' from DER, 3' left of centerline, up to 124' AGL/217' MSL.

Trees beginning 2632' from DER, 246' right of centerline, up to 100' AGL/196' MSL.

Trees beginning 2848' from DER, 173' right of centerline, up to 94' AGL/208' MSL.

Tree 2898' from DER, 597' left of centerline, 120' AGL/241' MSL.

Tree, building, pole beginning 2971' from DER, 42' left of centerline, up to 131' AGL/255' MSL.

Tree 3317' from DER, 331' right of centerline, 85' AGL/217' MSL.

Tree, pole beginning 3693' from DER, 251' left of centerline, up to 124' AGL/295' MSL.

Trees beginning 3836' from DER, 625' right of centerline, up to 119' AGL/245' MSL.

Tree 3899' from DER, 143' right of centerline, 111' AGL/252' MSL.

Trees beginning 3950' from DER, 321' right of centerline, up to 129' AGL/264' MSL.

Tree, traverse way beginning 4060' from DER, 28' left of centerline, up to 112' AGL/302' MSL.

Tree, pole beginning 4219' from DER, 53' right of centerline, up to 109' AGL/283' MSL.

Tree, pole beginning 4465' from DER, 99' left of centerline, up to 126' AGL/316' MSL.

Tree 5091' from DER, 1507' right of centerline, 85' AGL/284' MSL.

Trees beginning 5195' from DER, 20' right of centerline, up to 110' AGL/299' MSL.

Trees beginning 5197' from DER, 1197' left of centerline, up to 132' AGL/326' MSL.

Trees beginning 5747' from DER, 69' left of centerline, up to 139' AGL/329' MSL.

Trees beginning 1 NM from DER, 570' left of centerline, up to 116' AGL/334' MSL.

Tree 1 NM from DER, 297' right of centerline, 106' AGL/302' MSL.

Tree, pole beginning 1 NM from DER, 1084' left of centerline, up to 118' AGL/340' MSL.

Tree 1 NM from DER, 26' right of centerline, 121' AGL/305' MSL.

Tree 1.1 NM from DER, 1925' right of centerline, 136' AGL/351' MSL.

Trees beginning 1.1 NM from DER, 106' left of centerline, up to 107' AGL/355' MSL.

Tree, building beginning 1.1 NM from DER, 287' right of centerline, up to 96' AGL/359' MSL.

Trees beginning 1.2 NM from DER, 69' right of centerline, up to 104' AGL/365' MSL.

Tree, tower beginning 1.2 NM from DER, 855' right of centerline, up to 116' AGL/374' MSL.

Trees beginning 1.4 NM from DER, 1371' left of centerline, up to 107' AGL/356' MSL.

Tree 1.6 NM from DER, 1820' left of centerline, 110' AGL/361' MSL.

VIDALIA, LA CONCORDIA PARISH (0R4)

TAKEOFF MINIMUMS AND (OBSTACLE) DEPARTURE PROCEDURES

ORIG 10DEC15 (15344) (FAA)

DEPARTURE PROCEDURE:

Rwy 14, climb heading 144° to 1100 before turning left.

TAKEOFF OBSTACLE NOTES:

Rwy 14, trees beginning 37' from DER, 244' right of centerline, up to 41' AGL/92' MSL.

Trees, buildings, and T-L tower beginning 58' from DER, 275' left of centerline, up to 83' AGL/134' MSL.

Trees beginning 1115' from DER, 236' left of centerline, up to 58' AGL/112' MSL.

T-L tower 3484' from DER, 522' right of centerline, 87' AGL/145' MSL.

Rwy 32, pole 6' from DER, 420' left of centerline, 29' AGL/81' MSL.

Trees beginning 803' from DER, 299' left of centerline, up to 31' AGL/82' MSL.

Trees beginning 844' from DER, 432' right of centerline, up to 79' AGL/130' MSL.

Trees and T-L tower beginning 2181' from DER, crossing centerline, up to 99' AGL/157' MSL.

22 FEB 2024 to 21 MAR 2024

22 FEB 2024 to 21 MAR 2024

TAKEOFF MINIMUMS, (OBSTACLE) DEPARTURE PROCEDURES, AND DIVERSE VECTOR AREA (RADAR VECTORS)

24025

SC-4

TAKEOFF MINIMUMS, (OBSTACLE) DEPARTURE PROCEDURES, AND DIVERSE VECTOR AREA (RADAR VECTORS)

24025

VIVIAN, LA

VIVIAN (3F4)

TAKEOFF MINIMUMS AND (OBSTACLE) DEPARTURE PROCEDURES

AMDT 2 09APR09 (09099) (FAA)

TAKEOFF MINIMUMS:

Rwy 9, 200-1¼ or std. w/ min. climb of 303' per NM to 600.

Rwy 27, 300-2 or std. w/ min. climb of 203' per NM to 600, or alternatively, with standard takeoff minimums and a normal 200' per NM climb gradient, takeoff must occur no later than 1200' prior to DER.

DEPARTURE PROCEDURE:

Rwy 9, climb heading 088° to 1900 before turning left.

Rwy 27, climb heading 268° to 1900 before turning right.

TAKEOFF OBSTACLE NOTES:

Rwy 9, tower 2476' from DER, 803' left of centerline, 100' AGL/360' MSL.

Tank 1 NM from DER, 375' left of centerline, 162' AGL/432' MSL.

Vehicle and road, crossing southwest to northeast beginning 1271' from DER, 645' right of centerline, 15' AGL/294' MSL.

Rwy 27, vehicle and road 204' from DER, 495' right of centerline, 15' AGL/274' MSL.

WELSH, LA

WELSH (6R1)

TAKEOFF MINIMUMS AND (OBSTACLE) DEPARTURE PROCEDURES

ORIG 22APR21 (21112) (FAA)

TAKEOFF MINIMUMS:

Rwys 9, 27, NA - Environmental.

TAKEOFF OBSTACLE NOTES:

Rwy 7, bldg, poles beginning 404' from DER, 46' right of centerline, up to 40' MSL.

Trees beginning 534' from DER, 113' right of centerline, up to 120' MSL.

Vehicles on road 553' from DER, 3' left of centerline, 15' AGL/35' MSL.

Poles beginning 598' from DER, 188' left of centerline, up to 40' MSL.

Tree 990' from DER, 709' left of centerline, 117' MSL.

Trees beginning 1201' from DER, 629' left of centerline, up to 120' MSL.

Trees beginning 1998' from DER, 53' right of centerline, up to 123' MSL.

Rwy 25, trees, bldg, beginning 63' from DER, 86' left of centerline, up to 116' MSL.

Trees beginning 216' from DER, 211' right of centerline, up to 114' MSL.

Trees beginning 1051' from DER, 437' left of centerline, up to 117' MSL.

Trees beginning 2324' from DER, 39' right of centerline, up to 117' MSL.

Tree 3548' from DER, 616' left of centerline, 120' MSL.

Tree 3762' from DER, 144' right of centerline, 120' MSL.

WEST POINT, MS

MCCHAREN FLD (M83)

TAKEOFF MINIMUMS AND (OBSTACLE) DEPARTURE PROCEDURES

AMDT 1A 06MAR14 (22195) (FAA)

TAKEOFF MINIMUMS:

Rwy 36, 400-1¼ or std. w/min. climb of 370' per NM to 800.

TAKEOFF OBSTACLE NOTES:

Rwy 18, numerous trees beginning 1' from DER, 250' left of centerline, up to 100' AGL/309' MSL.

Terrain beginning 146' from DER, 22' left of centerline, up to 207' MSL.

Fence 200' from DER, on centerline, up to 4' AGL/213' MSL.

Terrain 151' from DER, 232' right of centerline, 207' MSL.

Numerous trees beginning 913' from DER, 744' right of centerline, up to 100' AGL/279' MSL.

Vehicle on road 268' from DER, on centerline, 10' AGL/219' MSL.

Rwy 36, train on railroad track beginning 50' from DER, on centerline, 23' AGL/232' MSL.

Terrain 243' from DER, 262' left of centerline, 214' MSL.

Numerous trees beginning 1287' from DER, 299' left of centerline, up to 100' AGL/349' MSL.

Tree 2016' from DER, 138' right of centerline, 100' AGL/319' MSL.

Tower 1.5 NM from DER, 1399' right of centerline, 353' AGL/597' MSL.

22 FEB 2024 to 21 MAR 2024

22 FEB 2024 to 21 MAR 2024

TAKEOFF MINIMUMS, (OBSTACLE) DEPARTURE PROCEDURES, AND DIVERSE VECTOR AREA (RADAR VECTORS)

24025

SC-4

TAKEOFF MINIMUMS, (OBSTACLE) DEPARTURE PROCEDURES, AND DIVERSE VECTOR AREA (RADAR VECTORS)

24025

WIGGINS, MS

DEAN GRIFFIN MEML (M24)

TAKEOFF MINIMUMS AND (OBSTACLE) DEPARTURE PROCEDURES

ORIG 08SEP22 (22251) (FAA)

DEPARTURE PROCEDURE:

Rwy 17, climb on heading 175° to 1900 before turning left.

TAKEOFF OBSTACLE NOTES:

Rwy 17, trees beginning 22' from DER, 444' left of centerline, up to 263' MSL.

Trees beginning 41' from DER, 362' right of centerline, up to 293' MSL.

Trees beginning 292' from DER, 385' right of centerline, up to 299' MSL.

Tree 390' from DER, 467' left of centerline, 274' MSL.

Trees beginning 549' from DER, 426' left of centerline, up to 288' MSL.

Trees beginning 686' from DER, 367' left of centerline, up to 290' MSL.

Trees beginning 1222' from DER, 452' left of centerline, up to 307' MSL.

Trees beginning 1372' from DER, 335' left of centerline, up to 332' MSL.

Trees beginning 1618' from DER, 432' right of centerline, up to 300' MSL.

Tree 1708' from DER, 662' right of centerline, 302' MSL.

Rwy 35, pole 48' from DER, 453' right of centerline, 35' AGL/300' MSL.

Trees beginning 83' from DER, 373' left of centerline, 295' MSL.

Trees beginning 126' from DER, 80' left of centerline, up to 330' MSL.

Trees beginning 175' from DER, 470' right of centerline, up to 331' MSL.

Tree 964' from DER, 445' right of centerline, 336' MSL.

Trees beginning 1017' from DER, 138' right of centerline, up to 338' MSL.

Trees beginning 1587' from DER, 12' right of centerline, up to 355' MSL.

Tree 1692' from DER, 84' left of centerline, 336' MSL.

Trees beginning 1773' from DER, 44' left of centerline, up to 339' MSL.

Trees beginning 2046' from DER, 21' left of centerline, up to 340' MSL.

WINNFIELD, LA

DAVID G. JOYCE (0R5)

TAKEOFF MINIMUMS AND (OBSTACLE) DEPARTURE PROCEDURES

ORIG 17DEC09 (09351) (FAA)

TAKEOFF OBSTACLE NOTES:

Rwy 9, trees beginning 202' from DER, 330' right of centerline, 100' AGL/219' MSL.

Trees beginning 187' from DER, 256' left of centerline, 100' AGL/219' MSL.

Rwy 27, trees beginning 192' from DER, 426' right of centerline, 100' AGL/259' MSL.

Trees beginning 3440' from DER, 1392' left of centerline, 100' AGL/289' MSL.

WINONA, MS

WINONA-MONTGOMERY COUNTY (5A6)

TAKEOFF MINIMUMS AND (OBSTACLE) DEPARTURE PROCEDURES

ORIG 14FEB08 (08045) (FAA)

TAKEOFF MINIMUMS:

Rwy 21, 400-2¾ or std. w/min. climb of 215' per NM to 900. Alternatively, with std. takeoff minimums and a normal 200' per NM climb gradient, takeoff must occur no later than 1900' prior to DER.

DEPARTURE PROCEDURE:

Rwy 3, Climb heading 030° to 1000 before turning west.

TAKEOFF OBSTACLE NOTES:

Rwy 21, Tower 2.1 NM from DER, 2789' right of centerline, 350' AGL/703' MSL.

YAZOO CITY, MS

YAZOO COUNTY (871)

TAKEOFF MINIMUMS AND (OBSTACLE) DEPARTURE PROCEDURES

ORIG 15DEC11 (11349) (FAA)

TAKEOFF OBSTACLE NOTES:

Rwy 17, trees beginning 684' from DER, 131' left of centerline, up to 100' AGL/202' MSL.

Trees beginning 1016' from DER, 103' right of centerline, up to 100' AGL/200' MSL.

Rwy 35, trees beginning 2616' from DER, 837' left of centerline, up to 100' AGL/200' MSL.

Trees beginning 303' from DER, 1228' right of centerline, up to 100' AGL/200' MSL.

22 FEB 2024 to 21 MAR 2024

22 FEB 2024 to 21 MAR 2024

TAKEOFF MINIMUMS, (OBSTACLE) DEPARTURE PROCEDURES, AND DIVERSE VECTOR AREA (RADAR VECTORS)

24025

SC-4