

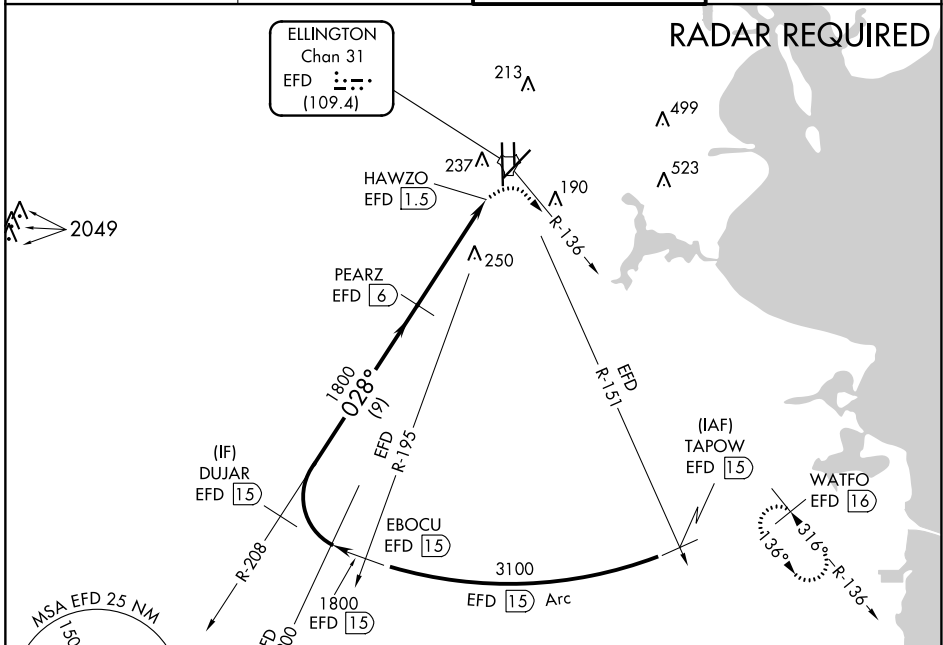
TACAN EFD Chan 31 (109.4)	APP CRS 028°	Rwy Idg TDZE Apt Elev	8001 30 33
--	------------------------	-----------------------------	---------------------------------------

TACAN RWY 4

ELLINGTON (EFD)

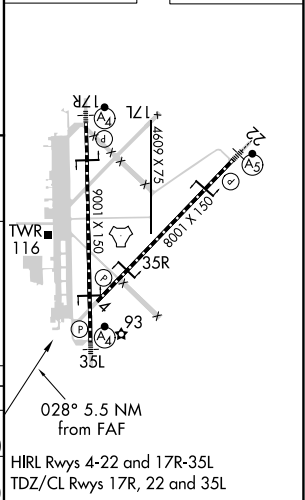
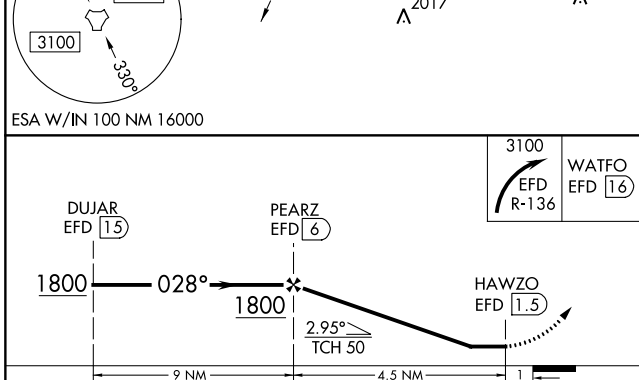
<p>⚠️ NA</p> <p>Circling NA west of Rwy 17R-35L Helicopter visibility reduction below 1 SM NA.</p>	<p>MISSED APPROACH: Climbing right turn to 3100 on EFD TACAN R-136 to WATFO/EFD 16 DME and hold.</p>		
	<p>ATIS 135.575 269.9</p>	<p>HOUSTON APP CON 134.45 284.0</p>	<p>ELLINGTON TOWER 126.05 253.5</p>

ATIS 135.575 269.9	HOUSTON APP CON 134.45 284.0	ELLINGTON TOWER 126.05 253.5	GND CON 121.6 275.8
------------------------------	--	--	-------------------------------



RADAR REQUIRED

ELEV 33	TDZE 30
---------	---------



CATEGORY	A	B	C	D	E
S-4	520-1¼	490 (500-1¼)		520-1½ 490 (500-1½)	520-1¾ 490 (500-1¾)
CIRCLING	520-1¼	487 (500-1¼)	580-1½ 547 (600-1½)	640-2 607 (700-2)	700-2½ 667 (700-2½)

SC-5, 22 FEB 2024 to 21 MAR 2024

SC-5, 22 FEB 2024 to 21 MAR 2024