

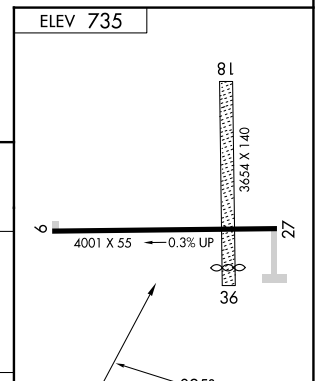
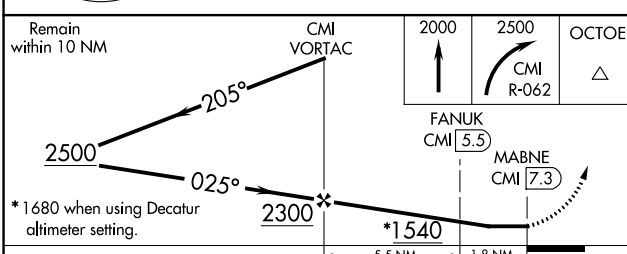
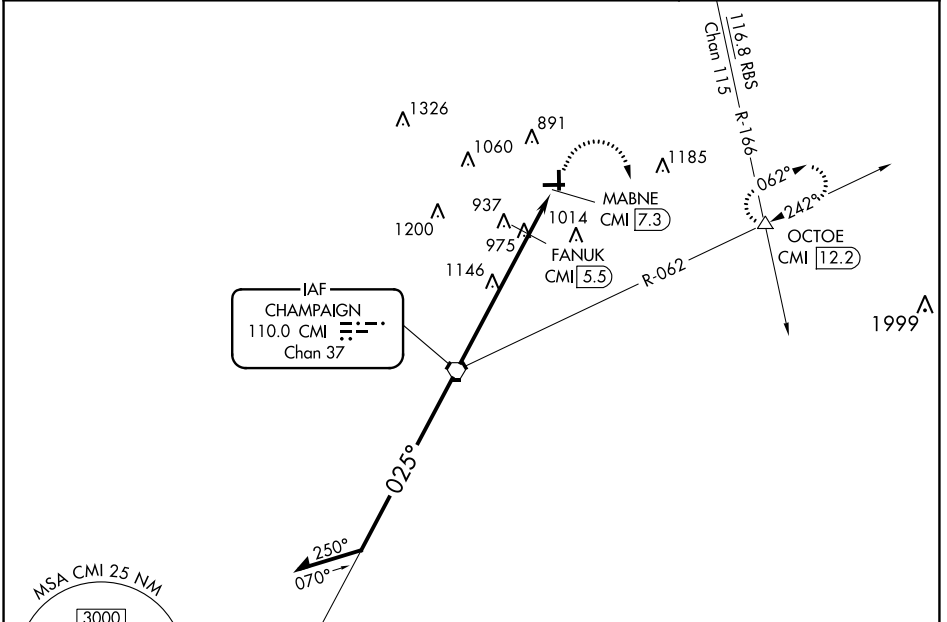
VORTAC CMI <b>110.0</b> Chan <b>37</b>	APP CRS <b>025°</b>	Rwy Idg TDZE Apt Elev <b>N/A</b> <b>N/A</b> <b>735</b>
--	------------------------	---

**VOR-A**  
FRASCA FLD (C16)

**NA** Circling NA to Rwys 18 and 36. Use Champaign altimeter setting; when not received, use Decatur altimeter setting and increase all MDAs 80 feet and Cats A/B/D visibilities ¼ SM, Cat C visibility ½ SM; increase FANUK DME fix minimums Cats C/D visibility ½ SM.

**MISSED APPROACH:** Climb to 2000 then climbing right turn to 2500 on CMI VORTAC R-062 to OCTOE INT and hold.

CHAMPAIGN APP CON ★ <b>121.35 285.65</b>	UNICOM <b>122.8 (CTAF)</b>
---	-------------------------------



Remain within 10 NM	CMI VORTAC			
	2500	205°	2000	2500
	2300*	025°	FANUK CMI 5.5	OCTOE
			MABNE CMI 7.3	△
* 1680 when using Decatur altimeter setting.			1540	
			5.5 NM	1.8 NM

FAF to MAP 7.3 NM				
CIRCLING	A	B	C	D
	1540-1 805 (900-1)	1540-1¼ 805 (900-1¼)	1540-2¼ 805 (900-2¼)	1560-2¾ 825 (900-2¾)
FANUK DME FIX MINIMUMS				
CIRCLING	1300-1	565 (600-1)	1420-2 685 (700-2)	1560-2¾ 825 (900-2¾)
	Knots	60	90	120
	Min:Sec	7:18	4:52	3:39
		2:55	2:26	

EC-3, 22 FEB 2024 to 21 MAR 2024

EC-3, 22 FEB 2024 to 21 MAR 2024